

PUBLIC HEALTH REPORTS

VOL. 34

FEBRUARY 14, 1919

No. 7

EPIDEMIC INFLUENZA.

PREVALENCE IN THE UNITED STATES.

Telegraphic reports from State health officers for the week ended February 8, 1919, indicate a continued general decrease in the number of cases of influenza reported in the United States. (See p. 289).

As compared with the preceding week, fewer cases were reported in Arkansas, Connecticut, Illinois, Iowa, Kansas, Louisiana, Maine, New Jersey, North Carolina, Oklahoma, Oregon and Vermont.

Increases in the number of cases were reported from Alabama, Indiana, Ohio, Virginia, and Washington, but the increase was slight in most of these States.

The reports from zones surrounding Army camps also indicate a continued decrease in the number of reported cases of influenza. (See p. 292.)

MENTAL HYGIENE.

PROGRAM OF THE UNITED STATES PUBLIC HEALTH SERVICE.

With the increasing recognition by health authorities of the significance of mental disease as a health problem, there is a growing demand for assistance in the formulation of a program of practicable control and preventive measures which can be inaugurated by health administrators. The reader may, therefore, be interested in studying the following program of activities which the United States Public Health Service plans to carry on as rapidly as funds become available for such purpose. Such a program should take into consideration—

A. The most effective means by which the several Government agencies can cooperate in studies and investigations of mental hygiene.

B. The problems of better care and treatment of the insane, mental defective, and epileptic.

C. Measures for the prevention of mental disorders.

So far as these considerations are concerned the studies and investigations already made by the Public Health Service indicate the following activities as desirable and practicable:

A. Cooperation With Other Government Agencies.

1. In addition to the duties prescribed by law as related to the mental examination of arriving aliens, cooperation with the Department of Labor (*a*) to establish a school for the training of medical

officers as mental hygienists, (b) to provide facilities for training nurses and assistants for duty in mental hygiene work, and (c) to investigate the care and treatment of insane aliens confined under immigration laws in public and private institutions at Government expense.

2. Cooperation with other bureaus of the Treasury Department in the mental examination of coastwise pilots, locomotive engineers, and train dispatchers as a safeguard to the traveling public.

3. Cooperation with other departments or bureaus of the Government to devise practical methods for the mental examination of civil employees of the Government with a view to determine their fitness for different occupations.

4. Cooperation with the Department of the Interior in the study and prevention of insanity and mental deficiency among the wards of the Government, such as the Indians, Esquimaux, and other primitive races for which the Government is responsible.

5. Cooperation with the Bureau of Education in the revision of educational methods from the standpoint of mental hygiene.

6. Cooperation with the Bureau of Education in devising practical plans for the establishment of special classes for the training of feeble-minded and delinquent children.

7. Cooperation with State departments of justice and other agencies to secure (a) the adoption of a model law providing for the early treatment of mental disorders, (b) the enactment of a model commitment law, and (c) the establishment of psychiatric pavilions in general hospitals.

8. Cooperation with Federal and State departments of justice to secure the establishment of psychiatric clinics in connection with the courts to determine the mental status of criminals, dependents, and delinquents appearing before the court.

B. Prevention.

1. Cooperation with State and local agencies to secure the adoption of a law making certain types of mental disorders reportable to the health authorities.

2. Reviewing and publishing State laws of commitment of the insane and feeble-minded.

3. Cooperation with the State and other agencies to determine the prevalence of the insane, feeble-minded, alcoholics, and epileptics.

4. Investigating the prevalence and the care and treatment of the insane, epileptics, feeble-minded, criminal, and dependent classes confined in institutions in Alaska and in the insular possessions.

5. Compiling a national reference index of the literature on mental hygiene.

6. Investigating mental status in relation to certain constitutional diseases and drug addiction.

7. Cooperation with the industrial hygiene unit of the United States Public Health Service in the studies and investigations of the mental status of workmen as related to output, fitness for the job, protection from health and injury hazards, and permanence of employment.

8. Cooperation with the child hygiene unit of the service in the study and investigation of insanity in children and of the personality of the potentially insane.

9. Cooperation with the Division of Venereal Diseases in studies and investigations of the mental status of prostitutes and of the relation of venereal diseases to mental disorders.

THE TREATMENT OF SEWAGE FROM SINGLE HOUSES AND SMALL COMMUNITIES.¹

By EARLE B. PHELPS, Professor of Chemistry, Hygienic Laboratory, United States Public Health Service.

The problem of the treatment and disposal of sewage from isolated homes and small institutions or communities, differs in certain important aspects from the allied problem of city sewage disposal. The composition and physical characteristics of the sewage are, by reason of its nature, somewhat unique. The rate of flow which is always more or less equalized in large systems becomes exceedingly variable in small domestic systems. The necessary available head or fall for the operation of works is generally lacking and pumping is expensive and generally out of the question. Large-scale works require intelligent supervision and more or less constant oversight, which, although not always provided, are at least reasonably possible without involving the project in an undue per capita expense. The small plant, on the other hand, to be entirely successful, must operate with a minimum of such oversight.

Large sums of money have, in the aggregate, been spent in developing sewage treatment methods for the disposal of city sewage, an expenditure which has been amply justified in the resulting economy in design. On the other hand, small works have been designed upon the basis of the general principles, developed by these studies, upon sewages of different types, so that it has been necessary to allow wide margins of safety and to recognize many serious shortcomings, or even failures, in the result. It has seemed important, therefore, to investigate the matter of small disposal installations with the same degree of thoroughness and scientific control that has hitherto been employed in the investigation of city sewage.

¹ The investigations which are briefly described in this preliminary paper were carried out, under the writer's supervision, by Sanitary Engineer Leslie C. Frank and Assistant Sanitary Engineer C. P. Rhynus during the years 1914-1917. Messrs. Frank and Rhynus have prepared an extensive report embodying the complete results of the investigation, publication of which it has been necessary to delay on account of the war. The present preliminary paper contains a brief outline of the investigation, and is submitted at this time in order that the important conclusions may be made available pending the publication of the complete report.

The experiments were made at two stations, one located at Chevy Chase, Md., and the other on the grounds of the Hygienic Laboratory, Washington. The Chevy Chase plant was located upon an existing private sewer with which some 25 houses were connected. The water supply of the community was from individual driven wells, but most of the houses were equipped with hand or power-driven pumps and a complete running water and modern plumbing system. The situation was, therefore, somewhat typical of situations commonly existing in small towns and frequently in rural districts.

At the Hygienic Laboratory plant sewage was obtained from the nurses' home of the Naval Hospital, which, by reason of an abundant available supply of city water, was somewhat more representative of institutional and small community conditions. The aim has been to confine the studies to a set of conditions commonly met with and to obtain a somewhat general solution as independent as possible of local variables. To this end it will be noted that the devices recommended are capable of exact duplication in any part of the country. This can not be said of processes that utilize the natural soil or artificial beds of stone. To this same end, also, the sewage load has been worked out on a per capita basis and special attention has been given to the variation in permissible loading that accompanies variation in per capita water consumption. The most conspicuous residual variable is that of climatic conditions, and the results must be interpreted with proper regard for that particular factor. With this single exception and with proper appreciation of an allowance for the limitations of the experimental method, it may properly be anticipated that the recommendations that have resulted from this study may be adopted for similar situations elsewhere with every assurance that they are quite applicable to the general situation which they are designed to cover.

The character of the sewages experimented with is shown in Table I, in which the average analyses of the sewages of five small Massachusetts communities have been incorporated for comparison. These latter have been compiled from Metcalf and Eddy.¹

TABLE I.—Analyses of crude sewage—General average values.

From—	Gallons per capita.	Parts per million.				Grams per capita per day.			
		Nitrogen.		Total solids.	Oxygen demand. ¹	Nitrogen.		Total solids.	Oxygen demand. ²
		Ammoniacal.	Organic.			Ammoniacal.	Organic.		
Hygienic laboratory plant.....	100	7.9	20.4	981	121	3.0	7.7	372	46
Chevy Chase plant....	21	48.0	65.0	1,360	263	3.3	5.2	106	21
Small Massachusetts communities.....	80	27.2	18.0	603	7.9	5.5	183

¹ 24-hour, 20°, biochemical oxygen demand.

² American Sewage Practice, Vol. II, p. 182.

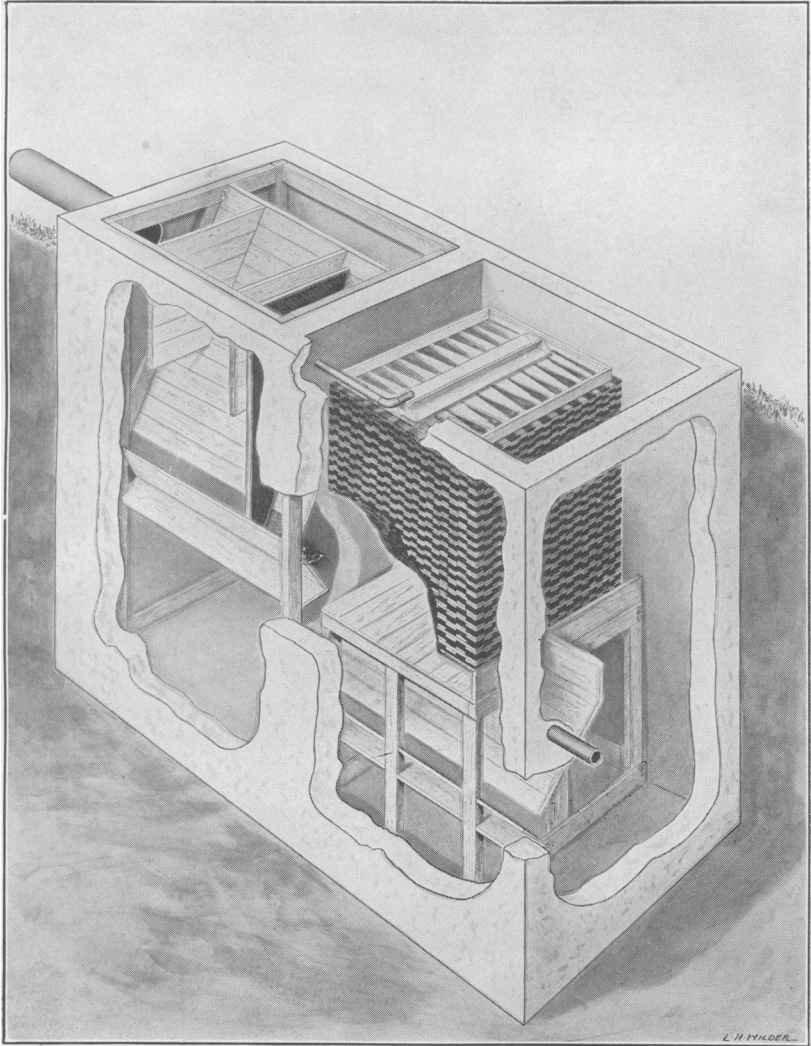


Fig. 1.

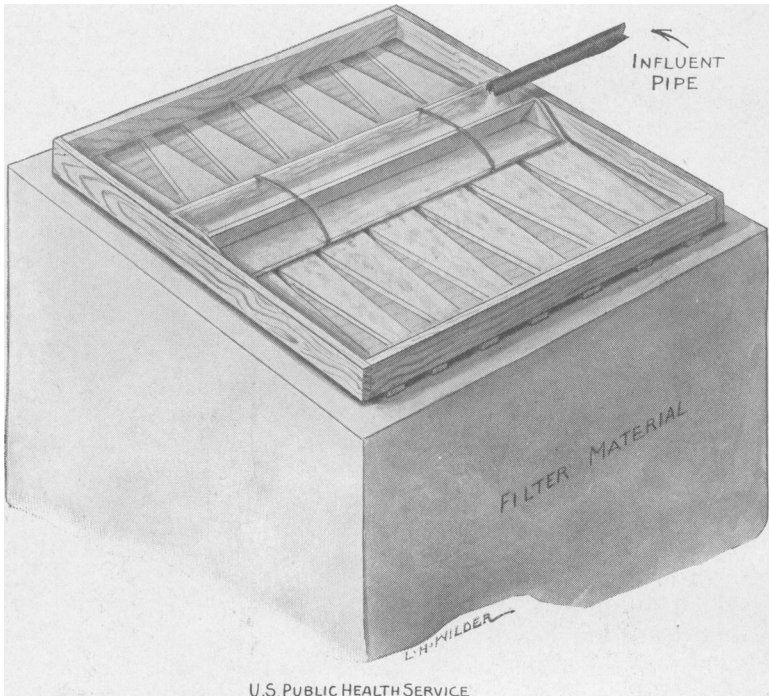


Fig. 2.—Sewage distributor; tipper and tray board, converging boards.

Experiments with preliminary tank treatment were confined to the biolytic tank and the Imhoff tank. The latter has been found particularly well adapted to the special existing requirements. An average removal of 91 per cent of the solids capable of settling was obtained with the Chevy Chase sewage, while with the weaker sewage at the Hygienic Laboratory the corresponding value was 97 per cent. The period of detention was naturally exceedingly variable, but averaged between four and six hours. The sludge accumulation amounted to 2 cubic feet and 3 cubic feet per capita per annum, respectively. Upon the basis of the design which has been worked out sludge removal from these tanks will be required not oftener than twice each year, and possibly not oftener than once each year. The sludge was well digested and inoffensive. It has valuable properties as a fertilizer and with proper restrictions may be so utilized.

Experiments were made with sand filters in order to determine the most advantageous methods of construction and operation under the special conditions imposed. It was found that with moderately coarse sand having an effective size of 0.35 mm. the area required per capita varies with the dilution of the sewage. For the Chevy Chase sewage, with a per capita flow of 20 gallons per day, about 30 square feet of superficial sand area per capita are required. For the Hygienic Laboratory sewage, at 100 gallons per capita per day, a corresponding area of 45 square feet is necessary. Sand layers of 24 inches in depth were found entirely satisfactory. Filter beds should be covered to prevent the growth of vegetation during the summer, and in the colder climates to prevent freezing during the winter. Inspection is required about once a month and raking of the surface about four times each year. A dosing chamber provided with an automatic siphon is an essential adjunct. The chamber should be so dimensioned as to provide a minimum depth of dose of 1 inch over the entire area.

Experiments with trickling filters comprised studies of distributors and studies of filter material. In view of the important results that have been obtained with one particular type of mechanism it will not be necessary to describe these experiments in detail. It has been found that the lath filter developed and described by Nasmith,¹ in combination with a tipping distributor such as has been frequently used in experimental work, possesses advantages over all other types of sewage treatment which merit a complete description of this device. The filter proper, which is shown in figure 1, is built up of layers of ordinary laths, the laths of adjacent layers lying at right angles to one another and those of each layer being parallel and spaced

¹ Journal Royal Sanitary Institute XXXVII, 1916.

with clear openings of 3 inches. Closer spacing, down to $\frac{3}{4}$ inch, yielded less satisfactory results. The laths of each layer are also so spaced that they come over the center of the open space in the second layer below. A filter depth of 6 feet yields an effluent of high degree of oxidation, and one of $3\frac{1}{2}$ feet yields an effluent sufficiently oxidized to satisfy the requirements of most situations. A total filter volume of 8 cubic feet per capita is required.

The details of the distributor which has been most satisfactory are shown in figure 3, while its method of operation is best shown in figure 1. As each compartment becomes nearly full, the device is overbalanced and tips, rocking upon the supporting knife edges. The sewage passes to the tray, the force of the impact being sufficient

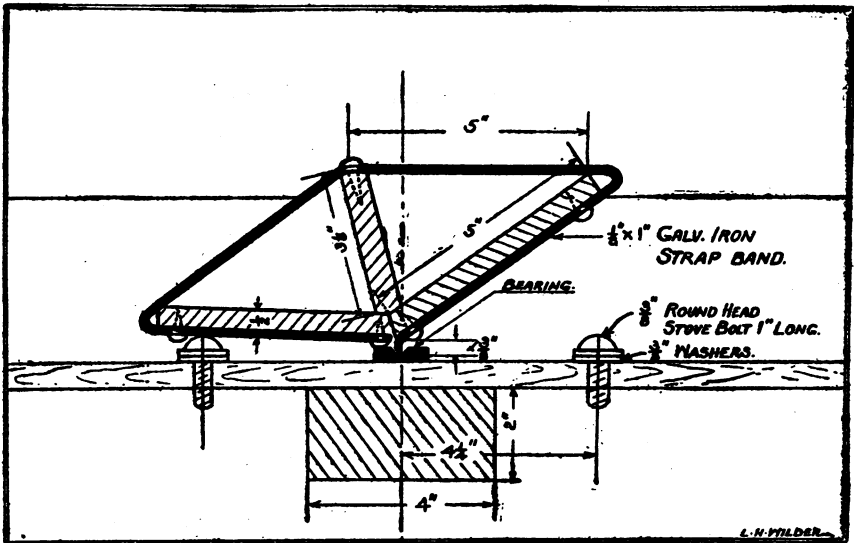


FIG. 3.

to cause it to flow as a wave to the ends of the distributor boards. These boards are so tapered that the distribution over the entire area is rendered quite uniform.

The performance of this filter is much superior to that of a good trickling filter of stone, and in 6-foot depths, with subsequent sedimentation, is approximately equal to that of a well-operated sand filter 2 feet in depth. This satisfactory result is attributed in part to the well-nigh perfect distribution of sewage over the surface, and in part to the construction of the filter itself, providing, as it does, a large area of horizontal surface over which the sewage passes slowly in exceedingly thin films. That this latter advantage is a real one is indicated by the comparison of results of lath and stone trickling filters operated under identical conditions as to depth and manner of distribution. This is shown in Table II.

TABLE II.—Average performance of lath and stone filters.

	Lath.	Stone.
Rate (m. g. a. d.).....	2.90	3.12
Relative stability of effluent (per cent).....	83	67
Reduction of biochemical oxygen demand (per cent).....	89	81
Reduction of organic nitrogen (per cent).....	55	29
Nitrogen oxidized (p. p. m.).....	4.7	4.0

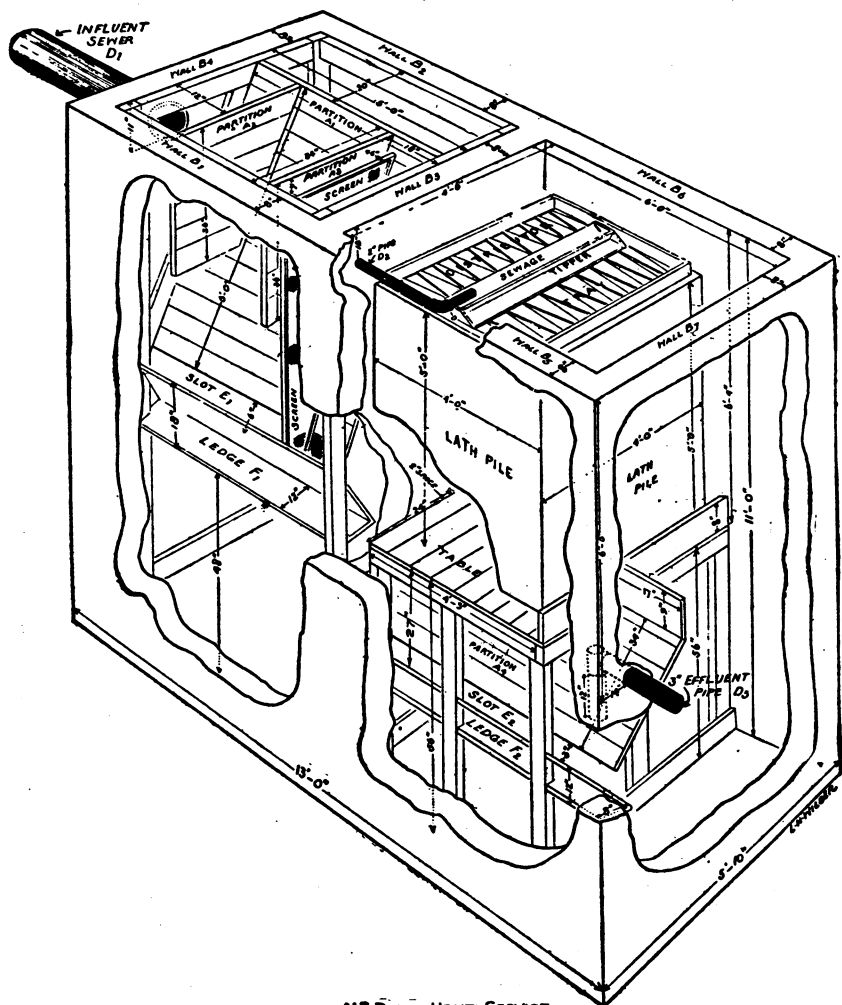


FIG. 4.—Imhoff tank and lath filter plant for 10 people.

The device fulfills in the most practical way the requirements of satisfactory operation with minimum oversight. There is apparently no tendency toward clogging or deterioration in the filter itself. The rocking distributor might be thought to add a considerable element of uncertainty, but, with the contact of moving parts being

confined to the two knife edges, which, by their continuous movement, are necessarily kept clean, no difficulty whatever has been experienced on this score. In fact, since the completion of the experiments the plant at the laboratory station has been running for over a year with inspection not more frequent than once in three months, and only on one occasion was there any necessity for attention. At that time the rocker had entirely left its seat, and deliberate interference by boys of the neighborhood was clearly indicated.

Several complete designs involving preliminary and final Imhoff tanks together with trickling filter have been worked out for populations of from 6 to 120 people. Figure 1 gives the general lay-out which is considered most satisfactory and figure 4 gives the actual dimensions of this plant for a population of 10 people. For smaller populations some reduction in the size of the preliminary Imhoff tank is permissible, but the filter itself could hardly, with advantage, be reduced in size. The general course of the sewage through the plant is plainly indicated. Entering from the main sewer it passes first into a grease trap, thence under the partition A-2, through the main sedimentation chamber, under partition A-3, through the wire screen to the 2-inch outlet pipe which discharges directly into the sewage tipper. It is then distributed over the surface of the filter and flows through the filter to the tight table below, which fits the concrete structure snugly at all points except for the 2 by 24 inch space shown. Through this space it reaches the lower Imhoff tank similar in all respects to the preliminary tank except for the absence of partition baffles. Passing through this tank, it discharges at the effluent pipe D-3. During the passage of the sewage through the Imhoff tanks, the suspended solids are deposited upon the sloping partition from which they slide by gravity, ultimately reaching the lower or sludge compartment. Here digestion takes place, the gases and scum rising along the underside of the sloping partition to the vent chamber. Through this chamber the sludge is removed at necessary intervals. It is estimated that the cost of materials and labor for a plant of this capacity will be about \$250. The degree of purification effected is sufficient for all purposes except where the discharge is directly into a water supply. In such a case chemical disinfection of the effluent is recommended in addition. In the northern sections of the country it will be desirable to provide heavy plank covers for protection against winter weather. The plant will operate without nuisance, and, with a monthly inspection and semiannual or annual removal of sludge from the tanks, will operate continuously without further attention.

VACCINATION AGAINST SMALLPOX.

ILLINOIS SUPREME COURT DECIDES THAT LOCAL BOARD OF HEALTH MAY EXCLUDE UNVACCINATED CHILDREN FROM SCHOOL DURING SMALLPOX EPIDEMIC.

The right to temporarily exclude unvaccinated pupils from school while smallpox is unduly prevalent in a community is upheld in a recent decision of the Supreme Court of Illinois.¹

Smallpox became epidemic in Granite City, and the local board of health to prevent the further spread of the disease passed a resolution excluding all children from the public schools for a period of two weeks unless they had recently been vaccinated or unless they produced a certificate that they had been successfully vaccinated within the past five years or had had smallpox. Suit was brought to enjoin the authorities from preventing the attendance at school of several pupils who were unvaccinated.

The court dismissed the suit, stating that while school directors and boards of education have no authority to exclude children from school simply because they refuse to be vaccinated, yet "the resolution of the board of health was reasonable in view of the fact that smallpox was epidemic and the disease likely to spread from the many cases then existing in the city."

The court further said:

"As it was the duty of the board of health to enforce such reasonable rules and regulations as would stamp out the epidemic and promote the public health and the resolution seemed well calculated to accomplish that purpose, and as a public necessity existed for such action, the board of health must be held to have acted legally in passing the resolution and the school board in enforcing it and requiring vaccination as a condition to pupils entering the schools. The exercise of such authority by the board of health and the school board finds ample authority in the police power of the State when such a necessity arises, as is shown in this case, and no constitutional rights of appellants have been violated. * * * The right to enjoy school and other privileges recognized by our law must be so used and enjoyed as not to expose other people unnecessarily to dangerous diseases or contagions. The police power is broad enough to protect all citizens against such exposure, and it is not an unreasonable requirement to prevent children from having the benefits of school unless vaccinated, etc., under such conditions as existed in Granite City when the resolution of the board of health was passed, and particularly when such exclusion was only for the period of two weeks and with the privilege to the children to remain unvaccinated by remaining out of school for such time."

¹ *Hogler et al. v. Larner et al.*, 120 N. E., 575.

INFANT WELFARE IN GERMANY DURING THE WAR.

An interesting summary concerning infant welfare in Germany during the war is given in a report prepared by the intelligence department of the local Government board in 1918, and just published by His Majesty's stationery office, London.

Births.

Perhaps the most striking feature of the information thus compiled is the heavy decrease shown in the number of births. The first three years alone of the war reduced by over 2,000,000 the number of babies who would have been born had peace prevailed. Some 40 per cent fewer babies were born in 1916 than in 1913.

Infant Death Rate.

At the beginning of the war, under pressure of military needs, infant welfare work suffered. The high death rate and the claims of the nation's future soon led, however, to a large extension of the work. Voluntary societies have played an active part in this extension; but the general tendency is for the movement to become more and more municipal. The progress has largely taken the form of an increase in the number of infant welfare centers.

The infantile death rate has been kept well down. According to the British report the reduction in the rate has been due partly to the special measures taken and partly also because of the cool summers. The following instructive table is presented.

Infant mortality rates, 1901-1913, inclusive.

	1901	1902	1903	1904	1905	1906	1907	1908	1909	1910	1911	1912	1913
German Empire.....	207	183	204	296	205	195	176	178	170	162	192	147	151
Prussia.....	200	172	194	185	198	177	168	172	164	157	188	146	150
Bavaria.....				239	241	227	220	217	217	202	223	177	182
England and Wales..	151	133	132	145	128	132	118	120	109	105	130	95	108

Maternity Grants.

The principal measure adopted in Germany to promote infant welfare during the war has been the distribution of imperial maternity grants. One of these grants is given only to women who breast-feed their babies. The grants are in the main an extension of benefits paid under the sickness insurance law, and are administered largely through the insurance societies. This method, however, has not given general satisfaction, and there is a strong consensus of opinion among those best qualified to judge that grants of this kind should be administered through infant welfare centers. In 1915 there were

nearly 800 such centers, distributed among the areas of 550 local authorities. The encouragement of breast feeding by means of allowances in money and kind has been regarded in Germany as one of the most powerful means of furthering infant welfare. In fact, some leaders in infant welfare work go so far as to say that this is the sole secret of the successful working of a welfare center. It is interesting to observe that generally speaking the organization and establishment of infant welfare centers is usually initiated by private societies and afterwards taken over by the municipality.

Infant Welfare Work.

Early in 1915 the Imperial Association for the Care of Infants issued an appeal to all its affiliated associations urging them to continue, and, if possible, to extend their activities, in view of the increasing number of mothers who were obliged to go out to work in order to support their families. The past two years, therefore, has witnessed a great extension of infant welfare work in Germany. The importance of caring for children above the age of infancy—children from 1 to 5 years of age—has also been recognized, and the Imperial Association is now urging all its affiliated societies to keep children under observation up to 5 years of age. Antenatal care is one of the most recent developments of infant welfare work in Germany, and the need for extending this branch of work is generally recognized.

Illegitimacy.

In the whole of the German Empire the proportion of illegitimate births is between 9 and 10 per cent. In certain districts the rate is much higher. On the outbreak of the war the care of foster children was interfered with in many instances by the mobilization of the doctors appointed to look after them. As the war progressed, however, the various forms of guardianship over illegitimate children which had been instituted before the war appear to have been exercised with greater closeness and care than formerly, so that, on the whole, there was an improvement in the lot of the illegitimate children in Germany. The imperial maternity grants were extended to unmarried mothers provided proof was forthcoming that the father was serving in the army. A letter to the mother was considered sufficient evidence.

Institutional Care of Children.

In connection with the controversy so often occurring regarding institutional versus home care of foster children, it may be of interest to observe that in Germany, while there has been a considerable development of infant welfare work on the modern lines of caring

for the child in the home, the older method of caring for children in institutions has not been neglected. "The demand for women's labor is so great that an ever-increasing number of women are being drawn into industrial work. While the mother toils by day or night, her child must be cared for by others. Those who are concerned for the welfare of infants and young children believe that they will be better cared for by trained and supervised workers in crèches or infants' homes than in the homes of foster mothers, especially in view of the difficult food conditions. Endeavors are therefore being made to provide suitable institutions wherever they are needed, and to link them up with the general movement for infant welfare."

In an appendix the report gives statistics concerning infant death rates in various German cities, 1904-1913; death rates of illegitimate infants; total number of live births in Germany, 1913-1916, inclusive; percentage of illegitimate births, 1851-1912; and certain details regarding maternity benefits granted by a number of German municipalities.

DEATHS DURING WEEK ENDED FEBRUARY 1, 1919, IN CITIES.

The following table shows the registered deaths from all causes and from pneumonia (all forms) and influenza combined, in certain large cities of the United States during the week ended February 1, 1919. The annual death rates per 1,000 population for the week are also shown.

The data are taken from the "Weekly Health Index," February 4, 1919, issued by the Bureau of the Census, Department of Commerce. The populations used in computing the rates are estimated by the Bureau of the Census as of July 1, 1918.

Registered deaths and annual death rates per 1,000 population in certain large cities of the United States, week ended Feb. 1, 1919—Deaths from all causes, and from pneumonia (all forms) and influenza combined.

City.	Popu- lation July 1, 1918, estimated.	Total deaths, all causes.	Annual death rate per 1,000.	Influenza and pneumonia (all forms).	
				Number of deaths.	Annual rate per 1,000.
Albany, N. Y.	112,565	53	24.6	18	8.3
Atlanta, Ga.	201,732	106	27.4		
Baltimore, Md.	599,653	362	31.5	138	12.0
Birmingham, Ala.	197,670	71	18.7	29	7.6
Boston, Mass.	785,245	291	19.3	110	7.3
Buffalo, N. Y.	473,229	200	22.0	90	9.9
Cambridge, Mass.	111,432	49	22.9	13	6.1
Chicago, Ill.	2,596,681	823	16.5	277	5.6
Cincinnati, Ohio.	418,022	138	17.2	23	2.9
Cleveland, Ohio.	810,306	268	17.2	108	6.9
Columbus, Ohio.	225,296	69	16.0	19	4.4
Dayton, Ohio.	190,655	39	15.6	11	4.4
Denver, Colo.		83			
Fall River, Mass.	128,392	54	21.9	17	6.9
Grand Rapids, Mich.	135,450	44	16.9		
Indianapolis, Ind.	280,577	97	15.7		
Jersey City, N. J.	318,770	121	20.3		
Kansas City, Mo.	318,785	140	23.3	53	9.6
Los Angeles, Cal.	568,495	241	22.1	104	9.5
Louisville, Ky.	242,707	82	17.6	20	4.3
Lowell, Mass.	109,081	46	22.0	11	5.3
Memphis, Tenn.	154,759	86	29.0	30	10.1
Milwaukee, Wis.	452,481	84	9.7		
Minneapolis, Minn.	383,442	102	13.9		
Nashville, Tenn.	119,215	60	26.2	17	7.4
Newark, N. J.	428,684	149	18.1	50	6.1
New Haven, Conn.	154,865	50	16.8		
New Orleans, La.	382,273	243	33.1	125	17.1
New York, N. Y.	5,215,879	2,448	24.5	1,212	12.1
Oakland, Cal.	214,206	83	20.2		
Omaha, Nebr.	180,264	44	12.7		
Philadelphia, Pa.	1,761,371	784	23.2	308	9.1
Pittsburgh, Pa.	593,303	333	29.3	174	15.3
Portland, Ore.		111		50	
Providence, R. I.	263,613	105	20.8	35	6.9
Richmond, Va.	160,719	67	21.7	28	7.5
Rochester, N. Y.	264,856	50	15.7	12	2.4
St. Louis, Mo.	779,951	234	15.6	75	5.0
St. Paul, Minn.	257,699	61	12.3		
San Francisco, Cal.	478,530	201	21.9	59	6.4
Seattle, Wash.		81		27	
Spokane, Wash.		31			
Syracuse, N. Y.	161,404	39	19.1	25	5.8
Toledo, Ohio.	262,234	84	16.7	16	3.2
Washington, D. C.	401,681	179	23.2	60	7.8
Worcester, Mass.	173,660	55	16.5	23	6.9

PREVALENCE OF DISEASE.

No health department, State or local, can effectively prevent or control disease without knowledge of when, where, and under what conditions cases are occurring.

UNITED STATES.

EXTRA-CANTONMENT ZONES—CASES REPORTED WEEK ENDED FEB. 8.

CAMP BEAUREGARD ZONE, LA.		CAMP DODGE ZONE, IOWA.	
Influenza:	Cases.	Des Moines:	Cases.
Alexandria.....	6	Diphtheria.....	5
Pineville.....	4	Gonorrhoea.....	4
Rural district.....	13	Influenza.....	4
Malaria:		Mumps.....	1
Alexandria.....	3	Scarlet fever.....	1
		Smallpox.....	1
CAMP BOWIE ZONE, TEX.		CAMP EBERTS ZONE, ARK.	
Fort Worth:		Gonorrhoea:	
Chicken pox.....	4	England.....	1
Gonorrhoea.....	11	Influenza:	
Influenza.....	9	Cabot.....	1
Measles.....	1	Carlisle.....	1
Mumps.....	1	Ward.....	4
Pneumonia.....	11	Pneumonia:	
Scabies.....	6	Cabot.....	1
Smallpox.....	1	Tomberlin.....	1
Syphilis.....	12	Scarlatina:	
Trachoma.....	1	Jacksonville.....	2
CHARLESTON SANITARY DISTRICT, S. C.		FAYETTEVILLE SANITARY DISTRICT, N. C.	
Charleston:		Chicken pox.....	1
Influenza.....	61	Gonorrhoea.....	9
Scarlet fever.....	1	Influenza.....	6
Tuberculosis.....	1	Measles.....	2
CAMP DEVENS ZONE, MASS.		Mumps.....	1
Ayer:		Pneumonia.....	4
Influenza.....	1	Syphilis.....	1
Lancaster:		CAMP FUNSTON ZONE, KANS.	
Whooping cough.....	10	Influenza:	
Lunenburg:		Manhattan.....	4
Influenza.....	1	Measles:	
Measles.....	3	Junction City.....	1
Mumps.....	2	Mumps:	
CAMP DIX ZONE, N. J.		Manhattan.....	3
Diphtheria:		Pneumonia:	
Pemberton Bercugh.....	1	Manhattan.....	4
Influenza:		Scarlet fever:	
Pemberton Township.....	4	Junction City.....	3
Pneumonia:		Manhattan.....	2
Pemberton Township.....	3		

CAMP FUNSTON ZONE, KANS.—continued.

Smallpox:	Cases.
Dwight.....	2
Zeandale.....	3
GAS AND FLAME SCHOOL ZONE, GA. AND ALA.	
Influenza:	
Columbus.....	28
Girard.....	4
Muscogee County.....	28
Phenix City.....	5
Measles:	
Columbus.....	3
Muscogee County.....	1
Pellagra:	
Muscogee County.....	1
Pneumonia:	
Columbus.....	3
Girard.....	2
Phenix City.....	1
Smallpox:	
Columbus.....	2
Girard.....	1
Muscogee County.....	1
Whooping cough:	
Columbus.....	4
Muscogee County.....	3

GERSTNER FIELD ZONE, LA.

Influenza.....	17
Pneumonia.....	1
Smallpox.....	2

CAMP GORDON ZONE, GA.

Atlanta:	
Chicken pox.....	4
Diphtheria.....	2
Gonorrhoea.....	13
Influenza.....	75
Measles.....	1
Mumps.....	4
Scarlet fever.....	2
Smallpox.....	44
Syphilis.....	10
Tuberculosis.....	2

GULFPORT HEALTH DISTRICT, MISS.

Diphtheria:	
Biloxi.....	1
Dysentery:	
Gulf ort.....	2
Gonorrhoea:	
Gulfport.....	1
Moss Point.....	1
Pascagoula.....	2
Influenza:	
Biloxi.....	32
De Lisle.....	14
Escatawpa.....	8
Gautier.....	4
Gulfport.....	19
Handsboro.....	4
Kreole.....	5
Landon.....	1
Long Beach.....	1
Lyman.....	2
Mississippi City.....	11

GULFPORT HEALTH DISTRICT, MISS.—contd.

Influenza—Continued.	Cases.
Moss Point.....	28
Pass Christian.....	5
Malaria:	
Escatawpa.....	1
Gulfport.....	5
Moss Point.....	4
Mumps:	
Lyman.....	1
Mississippi City.....	1
Moss Point.....	1
Pneumonia:	
Biloxi.....	4
Gulfport.....	3
Pneumonia, broncho:	
De Lisle.....	1
Tuberculosis:	
Pass Christian.....	1
Whooping cough:	
Biloxi.....	1
Moss Point.....	2
Scattered.....	2

CAMP HANCOCK ZONE, GA.

Augusta:	
Influenza.....	10
Scarlet fever.....	1

CAMP HUMPHREYS ZONE, VA.

Chicken pox:	
Fredericksburg.....	1
Diphtheria:	
Fredericksburg.....	1
German measles:	
Fredericksburg.....	3
Influenza:	
Alexandria.....	37
Alexandria County.....	10
Fairfax County.....	5
Fredericksburg.....	21
Measles:	
Alexandria County.....	1
Mumps:	
Fredericksburg.....	3
Tonsillitis:	
Alexandria.....	3
Tuberculosis, pulmonary:	
Alexandria.....	1

CAMP JACKSON ZONE, S. C.

Columbia:	
Influenza.....	99
Measles.....	4
Mumps.....	4
Tuberculosis.....	3
Government clinic:	
Gonorrhoea.....	2
Syphilis.....	10

FORT LEAVENWORTH ZONE, KANS.

Leavenworth:	
Gonorrhoea.....	1
Influenza.....	11
Smallpox.....	1
Leavenworth County:	
Diphtheria.....	4
Influenza.....	6

CAMP LEE ZONE, VA.

	Cases.
Hopewell:	
Tuberculosis.....	1
Petersburg:	
Chicken pox.....	1
Gonorrhoea.....	1
Influenza.....	32
Mumps.....	1
Scarlet fever.....	1
Tuberculosis.....	7
Prince George County:	
Influenza.....	1
Tuberculosis.....	1

CAMP LEWIS ZONE, WASH.

Chicken pox:	
Parkland.....	1
Influenza:	
American Lake.....	1
Steilacoom.....	5
Measles:	
American Lake.....	2
Mumps:	
American Lake.....	1

CAMP LOGAN ZONE, TEX.

Houston:	
Chaneroid.....	6
Gonorrhoea.....	53
Measles.....	7
Pneumonia.....	3
Syphilis.....	20
Trachoma.....	7
Tuberculosis.....	1

CAMP M'CLELLAN ZONE, ALA.

Anniston:	
Chaneroid.....	1
Chicken pox.....	1
Gonorrhoea.....	5
Influenza.....	8
Mumps.....	5
Pneumonia.....	2
Syphilis.....	3
Tuberculosis.....	1
Whooping cough.....	1
Jacksonville:	
Malaria.....	1

CAMP MERRITT ZONE, N. J.

Chicken pox:	
Englewood.....	3
Influenza:	
Bergenfield.....	5
Dumont.....	2
Englewood.....	22
Tenafly.....	8
Pneumonia:	
Englewood.....	4
Tenafly.....	1

MUSCLE SHOALS SANITARY DISTRICT, ALA.

Colbert County:	
Measles.....	2
Lauderdale County:	
Chicken pox.....	1
Measles.....	8
Mumps.....	2

FORT OGLETHORPE ZONE, GA. AND TENN.

	Cases.
Diphtheria:	
Chattanooga.....	1
Influenza:	
Eastlake.....	5
North Chattanooga.....	14
Measles:	
Chattanooga.....	1

PICRIC ACID PLANT ZONE, GA.

Brunswick:	
Gonorrhoea.....	4
Influenza.....	23
Measles.....	6
Meningitis.....	1
Mumps.....	1
Pneumonia.....	5
Syphilis.....	4

CAMP PIKE ZONE, ARK.

Chicken pox:	
Little Rock.....	3
Gonorrhoea:	
Little Rock.....	9
North Little Rock.....	1
Influenza:	
Cabot.....	1
Eastman Township.....	5
Gray Township.....	3
Little Rock.....	34
North Little Rock.....	22
Scott.....	2
Malaria:	
Little Rock.....	1
Measles:	
Little Rock.....	6
North Little Rock.....	3
Meningitis:	
Little Rock.....	1
Mumps:	
Little Rock.....	3
North Little Rock.....	1
Pneumonia:	
Little Rock.....	9
Scott.....	2
scarlet fever:	
Little Rock.....	6
Syphilis:	
Little Rock.....	2
Tuberculosis:	
Little Rock.....	7
Typhoid fever:	
Little Rock.....	1
CAMP FOLK ZONE, N. C.	
Cerebrospinal meningitis:	
Durham.....	1
Chicken pox:	
Durham.....	1
Raleigh.....	1
Diphtheria:	
Durham County.....	1
German measles:	
Raleigh.....	1
Influenza:	
Durham.....	9
Durham County.....	1
Raleigh.....	156

CAMP POLK ZONE, N. C.—continued.

Measles:	Cases.
Wake County.....	5
Mumps:	
Durham.....	1
Raleigh.....	1
Scarlet fever:	
Durham County.....	1
Raleigh.....	1
Smallpox:	
Durham.....	1
Wake County.....	6
Tuberculosis:	
Raleigh.....	1
Typhoid fever:	
Durham.....	1
Whooping cough:	
Durham.....	1
Raleigh.....	2
Wake County.....	2

PORTSMOUTH AND NORFOLK COUNTY HEALTH DISTRICT, VA.

Diphtheria:	
Norfolk.....	2
Portsmouth.....	3
Influenza:	
Norfolk.....	28
Norfolk County.....	19
Portsmouth.....	7
Measles:	
Norfolk.....	11
Norfolk County.....	1
Portsmouth.....	1
Mumps:	
Norfolk.....	26
Pneumonia:	
Norfolk.....	3
Smallpox:	
Norfolk County.....	21
Tuberculosis:	
Portsmouth.....	1

PORTSMOUTH-KITTERY SANITARY DISTRICT, N. H. AND ME.

Portsmouth:	
Gonorrhoea.....	3
Influenza.....	9
Pneumonia.....	1
Tuberculosis.....	1

CAMP SEVIER ZONE, S. C.

Greenville:	
Chicken pox.....	1
Influenza.....	88
Scarlet fever.....	1
Smallpox.....	1
Whooping cough.....	1
Greenville County:	
Influenza.....	81
Pneumonia.....	10

CAMP SHERIDAN ZONE, ALA.

Government clinic:	
Chancroid.....	2
Gonorrhoea.....	17
Syphilis.....	12

CAMP SHERIDAN ZONE, ALA.—continued.

Montgomery:	Cases.
Chicken pox.....	2
Gonorrhoea.....	4
Mumps.....	1

CAMP SHERMAN ZONE, OHIO.

Diphtheria:	
Chillicothe.....	1
Gonorrhoea:	
Government clinic.....	4
Influenza:	
Chillicothe.....	2
Liberty Township.....	11
Measles:	
Union Township.....	1
Scarlet fever:	
Chillicothe.....	1
Syphilis:	
Government clinic.....	4

SOUTHER FIELD ZONE, GA.

Influenza:	
Americus.....	21
Sumter County.....	38
Pneumonia:	
Sumter County.....	2

CAMP ZACHARY TAYLOR ZONE, KY. AND IND.

Cerebrospinal meningitis:	
New Albany.....	1
Chancroid:	
Government clinic.....	1
Chicken pox:	
Louisville.....	1
Diphtheria:	
Louisville.....	5
Gonorrhoea:	
County jail clinic.....	6
Government clinic.....	35
Influenza:	
Jefferson County.....	43
Louisville.....	39
Measles:	
Jefferson County.....	6
Louisville.....	3
Mumps:	
Jefferson County.....	1
Scarlet fever:	
Louisville.....	7
Syphilis:	
County jail clinic.....	17
Government clinic.....	32
Tuberculosis, pulmonary:	
Jefferson County.....	1
Louisville.....	6

TIDEWATER HEALTH DISTRICT, VA.

Newport News:	
Chancroid.....	4
Chicken pox.....	5
Diphtheria.....	2
Gonorrhoea.....	50
Influenza.....	15
Mumps.....	1
Pneumonia.....	1

TIDEWATER HEALTH DISTRICT, VA.—continued.

Newport News—Continued.	Cases.
Syphilis.....	15
Tuberculosis, pulmonary.....	2
Whooping cough.....	1
Phoebus:	
Diphtheria.....	2
Tuberculosis.....	1

CAMP TRAVIS ZONE, TEX.

San Antonio:	
Chancreoid.....	1
Diphtheria.....	2
Gonorrhoea.....	16
Influenza.....	16
Measles.....	1
Mumps.....	3
Pneumonia.....	7
Syphilis.....	7
Tuberculosis.....	3

CAMP UPTON ZONE, N. Y.

Chicken pox:	
Brook Haven.....	2
Diphtheria:	
Riverhead.....	4

CAMP UPTON ZONE, N. Y.—continued.

Pneumonia:	Cases.
Brook Haven.....	2
Patchogue.....	3
Riverhead.....	1

CAMP WADSWORTH ZONE, S. C.

Spartanburg:	
Gonorrhoea.....	4
Influenza.....	24
Measles.....	10
Mumps.....	1
Smallpox.....	1
Tuberculosis.....	1

WILMINGTON SANITARY DISTRICT, N. C.

East Wilmington:	
Pneumonia.....	1
Wilmington:	
Chicken pox.....	3
Diphtheria.....	2
Gonorrhoea.....	2
Influenza.....	45
Mumps.....	2
Pneumonia.....	9
Scarlet fever.....	1
Tuberculosis.....	2
Typhoid fever.....	1

DISEASE CONDITIONS AMONG TROOPS IN THE UNITED STATES.

The following data are taken from telegraphic reports received in the office of the Surgeon General of the United States Army for the week ended January 31, 1919. Reports from the American Expeditionary Forces are delayed in transmission, and the "current week" for troops in the American Expeditionary Forces is not the same period as "current week" for troops in the United States.

	Current week.	Last week.
Annual admission rate per 1,000 (all causes).....	1,033.33	1,012.54
All troops in United States.....	1,154.34	1,242.13
American Expeditionary Forces.....	982.84	910.46
Annual admission rate per 1,000 (diseases only).....	831.44	853.61
All troops in United States.....	984.45	1,035.93
American Expeditionary Forces.....	767.59	750.37
Noneffective rate per 1,000 on day of report.....	50.77	52.77
All troops in United States ¹	49.97	53.42
American Expeditionary Forces.....	51.10	52.46
Annual death rate per 1,000 (all causes).....	13.47	16.51
All troops in United States ¹	12.01	16.03
American Expeditionary Forces.....	14.07	16.71
Annual death rate per 1,000 (diseases only).....	7.95	10.02
All troops in United States ¹	10.89	15.65
American Expeditionary Forces.....	6.72	7.53

¹ Sick and death rates among troops in the United States will continue to be relatively high, as the numerical strength of troops in the United States continues to decline from week to week as a result of demobilization. Well men only are eligible for discharge, while the sick and otherwise disabled are retained in service for further treatment. The continued influx of sick and wounded (properly chargeable to commands overseas) is another factor tending to increase rates in the United States and to diminish correspondingly similar rates overseas.

Cases of special diseases reported during the week ended Jan. 31, 1919.

Camp.	Pneumonia.	Malaria.	Venereal diseases.		Influenza.	Measles.	Meningitis.	Scarlet fever.	Annual admission rate per 1,000 (disease only).	Non-effective rate per 1,000 on day of report.
			Total.	New infections.						
Beauregard.....	6	2	28			2			1,791.72	57.68
Bowie.....	12		44	22	2	14			1,741.82	73.94
Cody.....			2						281.84	34.98
Fremont.....			2		3				705.76	192.92
Greene.....			19		5	2			1,256.52	64.75
Hancock.....	9		43	6	15		2		1,104.92	83.88
Kearny.....	2		28	3	17		1		700.45	24.65
Logan.....	5	1	11	4	12	7	2		655.58	36.37
MacArthur.....	1		5		7			1	1,062.61	64.49
McClellan.....	21		7	1	13				641.44	62.17
Sevier.....	4		1		1		1		702.84	47.99
Sheridan.....	3		19	4		2			771.26	34.70
Shelby.....	7	1	37	16	8				1,825.95	75.41
Wadsworth.....	3		2			1			439.94	35.33
Wheeler.....	1		11		3				287.05	135.89
Custer.....	13		12	7		5		2	777.50	41.08
Devens.....	10		22	4	14	1		3	618.73	60.94
Dix.....	5		22	7	5				1,154.60	87.77
Dodge.....	5		11	7	7	2		11	1,116.84	57.29
Eustis.....			3		9				961.69	60.10
Funston.....	8		7		6	1		18	666.16	39.18
Gordon.....	5		16		31				1,700.89	71.74
Grant.....	9		2		21	12			691.89	60.60
Humphreys.....	13		10	1	14	8			671.85	30.35
Jackson.....	17		19		55	2	1		859.47	58.77
J. E. Johnston.....					2			1	639.80	43.67
Henry Knox.....	1		6					1	1,512.91	77.36
Las Casas.....		5	2				1		1,001.32	47.80
Lee.....	6		24	10	38	2		4	1,046.19	66.45
Lewis.....	19		25	5	9	2		1	1,123.28	50.43
Maede.....	17		16	6	3		1	13	442.27	25.86
Pike.....	11		7		51	3		2	1,272.26	79.37
Sherman.....	5		5		10	1			1,190.99	112.65
Taylor.....	9		23	5	3		2	2	1,032.87	89.89
Travis.....	14		18	1	21	15			2,393.65	67.15
Upton.....	2		14	4	2	5	1		1,383.69	77.11
Northeastern Department.....			6	4	6			2	672.53	31.49
Eastern Department.....	3	1	21	8	31				813.45	23.37
Southeastern Department.....										
Central Department.....	1	1	5	4	25	4			1,441.38	40.00
Southern Department.....			3		8	1			1,349.82	31.66
Western Department.....	59	1	69	10	184	3		4	1,439.96	54.14
Aviation camps.....	2		5	3	33				867.36	18.08
Ports of embarkation:	23		43		70	1		1	850.39	39.16
Hoboken.....	21		8	3	115	1	2		1,699.46	144.47
Newport News.....	22		109	1	42	2	2	1	1,869.53	63.28
Alcatraz Disciplinary Barracks.....									643.96	12.38
Leavenworth Disciplinary Barracks.....									1,808.25	43.46
Columbus Barracks.....			6	2	2				2,940.17	44.04
Jefferson Barracks.....	1		1	1	3				1,112.69	50.64
Fort Logan.....			3	1					916.78	43.72
Fort McDowell.....			11						1,259.00	33.89
Fort Sill.....			10	10	16			1	623.40	28.21
Fort Slocum.....			2	1					443.30	37.51
Fort Thomas.....			1	1					792.54	25.40
West Point.....			1						333.72	15.16
Arsenals.....	5		13		17	13			901.08	41.33
Miscellaneous small stations.....	9		15			6			735.01	29.26
Total.....	394	12	867	162	939	119	14	70	984.45	49.97

Number of deaths and annual rates per 1,000 at large camps in the United States, week ended Jan. 31, 1919.

Camp.	Strength.	Deaths.		Deaths, annual rate per 1,000.	
		All causes.	Disease only.	All causes.	Disease only.
Beauregard.....	6,501	1	1	7.99	7.99
Bowie.....	6,329	0			
Cody.....	4,059	0			
Fremont.....	2,063	0			
Greene.....	5,173	0			
Hancock.....	9,883	4	4	21.04	21.04
Kearny.....	13,139	2	2	7.91	7.91
Logan.....	8,963	2	1	11.60	5.80
MacArthur.....	5,334	3	3	29.24	29.24
McClellan.....	12,165	17	15	72.69	64.14
Sevier.....	5,105	3	3	30.50	30.50
Shelby.....	10,721	1	1	4.85	4.85
Sheridan.....	5,731	3	3	26.98	26.98
Wadsworth.....	6,028	2	0	17.25	
Wheeler.....	2,318	0			
Custer.....	17,337	4	4	12.00	12.00
Devens.....	15,805	2	2	6.50	6.50
Dix.....	18,333	1	1	2.83	2.83
Dodge.....	15,969	1	1	3.25	3.25
Eustis.....	3,028	1	1	17.17	17.17
Funston.....	46,545	8	8	15.67	15.67
Gordon.....	11,216	0			
Grant.....	19,236	3	2	8.10	5.40
Humphreys.....	11,298	3	3	13.80	13.80
Jackson.....	15,673	9	9	29.86	29.86
J. E. Johnston.....	3,251	0			
Henry Knox.....	10,378	2	1	10.01	5.00
Las Casas.....	1,506	0			
Lee.....	21,821	0			
Lewis.....	24,354	1	1	2.13	2.13
Meade.....	19,888	3	3	7.85	7.85
Pike.....	14,058	3	3	11.09	11.09
Sherman.....	12,876	1	1	4.03	4.03
Taylor.....	17,523	1	1	2.96	2.96
Travis.....	18,286	6	3	17.07	8.54
Upton.....	13,978	1	1	3.71	3.71
Northeastern Department.....	5,335	1	1	9.74	9.74
Eastern Department.....	35,880	3	2	3.06	2.04
Southeastern Department.....	6,133	0			
Central Department.....	7,358	1	1	7.06	7.06
Southern Department.....	44,491	9	9	10.51	10.51
Western Department.....	9,952	1	1	5.22	5.22
Aviation camps.....	47,390	16	13	17.55	14.26
Ports of embarkation:					
Hoboken.....	29,682	9	9	15.76	15.76
Newport News.....	23,666	8	8	17.57	17.57
All others.....	105,249	37	35	15.74	14.89
Total.....	749,007	173	157	12.01	10.89

Annual admission rate per 1,000 for certain diseases.

Disease.	Troops in United States.		American expeditionary forces.	
	Current week.	Last week.	Current week.	Last week.
Pneumonia.....	27.35	39.19	21.92	25.98
Dysentery.....	0.0	0.19	0.37	1.39
Malaria.....	0.83	0.51	0.40	0.17
Venereal.....	60.19	56.58	32.18	29.76
Paratyphoid.....	0.0	0.0	0.31	0.39
Typhoid.....	0.20	0.19	2.46	1.79
Measles.....	8.26	8.72	1.27	2.18
Meningitis.....	0.97	0.96	1.91	1.63
Scarlet fever.....	4.85	7.12	1.10	0.82
Influenza.....	65.19	92.50		

CURRENT STATE SUMMARIES.

Telegraphic Reports for Week Ended February 8, 1919.

Alabama.—Smallpox 21, scarlet fever 3, diphtheria 7, meningitis 2, influenza 1,736.

Arkansas.—Influenza 252 cases 6 deaths, smallpox 48, diphtheria 19, scarlet fever 2, malaria 19, typhoid fever 11, meningitis 1, measles 37, tuberculosis 6.

Connecticut.—Cerebrospinal meningitis New Canaan 1, anthrax Hartford 1, influenza 515 in State.

Florida.—Typhoid fever 7, diphtheria 12, trachoma 5, pneumonia 17. Comparatively few cases of influenza reported.

Illinois.—Diphtheria 198, of which in Chicago 160; scarlet fever 96, of which in Chicago 74; smallpox 59, of which in Elgin 8, Hillsboro 20; meningitis, Flora 2, Chicago 2, Fairmount 1; gonorrhoea 75, syphilis 61, influenza 1,327, of which in Chicago 543. Recrudescence of influenza noted in following communities: Belleview precinct (Calhoun County) 41, Martin Township (Crawford County) 55, Chenoa Township (McLean County) 37, Dry Grove Township (McLean County) 24, Oakford precinct (Menard County) 38, Hanna City 35, Rankin 22.

Indiana.—State totals: Influenza 1,254, syphilis 22, gonorrhoea 16. Diphtheria: Dekalb County 1, Kosciusko 1, Rush 1, Grant 2, Randolph 1, Clay 1, Marshall 5, Wayne 2, Hendricks 10, Tippecanoe 2, Huntington 1, Elkhart 1, Johnson 1, Dearborn 1, Lake 1, Posey 1.

Iowa.—Chancroid: Dubuque 2. Diphtheria: Des Moines 1, Dubuque 3, Otho 1, Ottumwa 1. Gonorrhoea: Burlington 1, Buxton 1, Davenport 2, Des Moines 15, Dubuque 8, Emmetsburg 2, Forest City 1, Iowa City 12, Postville 1, Randolph 1, Sioux City 6, Ute 1. Measles: Council Bluffs 4. Scarlet fever: Boone 1, Burlington 4, Council Bluffs 1, Decorah 3, Des Moines 2, Farmersburg 2, Goodell 6, Iowa City 1, Mason City 1, Postville 3. Smallpox: Cedar Rapids 5, Council Bluffs 15, Davenport 1, Des Moines 1, Dubuque 1, Mason City 5, Ottumwa 4, Quasqueton 3, Rockford 1, Strawberry Point 1. Syphilis: Davenport 2, Des Moines 4, Dubuque 1, Iowa City 3, Sioux City 1. In rural districts of following counties. Chancroid: Story 1. Diphtheria: Monroe 2, Poweshiek 1, Tama 1, Webster 1. Poliomyelitis: Benton 1. Scarlet fever: Benton 1, Blackhawk 1, Hancock 2, Harrison 1, O'Brien 3, Union 2. Smallpox: Lucas 2. Influenza: Total cases reported in State for week 335.

Kansas.—Meningitis: Agra 1, Baxter Springs 1, Highland 1. State totals: Influenza 2,415, typhoid fever 2, smallpox 49, diphtheria 23. Influenza in cities reporting over 10 cases: Independence 13, Kansas City 79, Topeka 161, Wichita 67.

Louisiana.—Influenza 1,081, smallpox 54, meningitis 2, diphtheria 9, typhoid fever 6.

Maine.—Anthrax: Island Falls 1. Diphtheria: Kittery 1, Friendship 2. Gonorrhoea: Calais 1, Bath 2, Bangor 1, Portland 2, Island Falls 1, Lewiston 2, Biddeford 2, Jackman 1, Waterville 2. Scarlet fever: Norway 3, Portland 3. Smallpox: Frenchville 11, Guerette 6, Madawaska 8. Syphilis: Bangor 2, Hartland 1, Oldtown 1, Corinna 1, Lewiston 1, Portland 4, Auburn 1, Waterville 4. Tuberculosis: Reported in State, 5 cases. Influenza: Scattered cases 112.

Massachusetts.—Unusual prevalence. Diphtheria: Salem 13, Holyoke 10. Scarlet fever: Gloucester 9, Salem 8. Measles: Leominster 60.

Minnesota.—Smallpox (new foci): Blue Earth County, Mankato, 1; Cass County, Pine River, 2; Clay County, Tausem Township, 1; Freeborn County, Bath Township, 1; Kanabec County, Whited Township, 2; Norman County, Twin Valley, 7, Waukon Township, 1, Flom Township, 63; Ottertail County, Perham, 1, Fergus Falls, 1; Rice County, Webster Township, 4; Rock County, Luverne Township, 1; St. Louis County, Duluth, 4; Scott County, Shakopee, 37. State totals: Syphilis 7, gonorrhoea 76, chancroid 4.

New Jersey.—Influenza cases reported 1,789; pneumonia 360 cases. No unusual prevalence of other diseases.

New York.—Typhoid fever 21; scarlet fever 178, slight increase; diphtheria 267, increase of 73 over preceding week—Buffalo 106; smallpox 2, Albany 1, West Seneca 1; cerebrospinal meningitis 5, Albany 1, Elmira Heights 1, Buffalo 1, Amsterdam 1, Saratoga Springs 1; pneumonia 446. Voluntary reports: Syphilis 120, gonorrhoea 19.

North Carolina.—Whooping cough 100, measles 85, diphtheria 20, scarlet fever 15, septic sore throat 3, smallpox 56, chicken pox 25, typhoid fever 8, epidemic meningitis 4, broncho-pneumonia 77, lobar pneumonia 44. Influenza by counties: Alamance 5, Ashe 19, Bertie 400, Chatham 3, Cleveland 87, Cumberland 83, Davidson 18, Gaston 10, Mitchell 75, Montgomery 1, Pitt 74, Stokes 9, Tyrrell 52.

Ohio.—Scarlet fever: Union Township (Mercer County) 13 cases, Kent 7 cases. Smallpox: Washington Court House 17 cases. Typhoid fever; 107 cases in State. Slight increase in influenza.

Oklahoma.—By counties. Logan: Influenza 85, pneumonia 4 (death 1). Lincoln: Influenza 35, pneumonia 2. Pottawatomie: Influenza 1, smallpox 2, measles 2, pneumonia 9. Sequoyah: Influenza 157, diphtheria 1, scarlet fever 2, smallpox 3, measles 7, chicken pox 6, tuberculosis 1, pneumonia 40 (deaths 9). Nowata: Influenza 82, pneumonia 12. Stephens: Influenza 75. Pittsburg: Influenza 83, pneumonia 5, smallpox 1, whooping cough 6. Latimer: Influenza 15, smallpox 1, meningitis 1. Noble: Influenza 11, pneumonia 1 (death 1), smallpox 7. Coal: Influenza 75, pneumonia 3, smallpox 25, diphtheria 1. Cleveland: Influenza 96, pneumonia 10 (deaths 2). Grady: Influenza 65, pneumonia 5. Creek: Influenza 17.

Oregon.—Influenza: Portland 164 cases, 13 deaths; by counties—Clackamas 2, Deschutes 22, Hood River 2, Marion 1, Multnomah 2, Union 1, Wasco 20, Washington 5.

Vermont.—Influenza, 205 cases from 21 towns. No other unusual prevalence.

Virginia.—Smallpox: Charlotte County 4, Alexandria County 1, Smyth County 4, Norfolk County 1. Influenza: Reported in State, 325 cases.

Washington.—Influenza increasing throughout State.

CEREBROSPINAL MENINGITIS.

Cases Reported in Extra-Cantonment Zones, Week Ended Feb. 8, 1919.

Camp Polk Zone, N. C.....	Cases. 1	Camp Zachary Taylor zone, Ky. and Ind.....	Cases. 1
---------------------------	----------	--	----------

State Reports for November and December, 1918.

Place.	New cases reported.	Place.	New cases reported.
Alabama (December):		California (November)—Continued.	
Calhoun County.....	1	San Francisco.....	3
Colbert County.....	1	Solano County.....	1
Jefferson County.....	1	Total.....	6
Talladega County.....	1	Oregon (December):	
Tuscaloosa County.....	3	Portland.....	1
Total.....	7		
California (November):			
Los Angeles County—			
Long Beach.....	1		
Los Angeles.....	1		

City Reports for Week Ended Jan. 25, 1919.

Place.	Cases.	Deaths.	Place.	Cases.	Deaths.
Alexandria, La.....	1	1	Medford, Mass.....	1	
Baltimore, Md.....	5	1	Milwaukee, Wis.....	3	3
Birmingham, Ala.....		1	Nashville, Tenn.....	1	1
Boise, Idaho.....	2		New Bedford, Mass.....		1
Boston, Mass.....		2	New Orleans, La.....	1	
Buffalo, N. Y.....	2	1	New York, N. Y.....	9	4
Charleston, S. C.....	1		Omaha, Nebr.....	2	1
Charleston, W. Va.....		1	Philadelphia, Pa.....	1	1
Chicago, Ill.....	6	2	Rahway, N. J.....		1
Detroit, Mich.....	1		St. Louis, Mo.....	2	
Englewood, N. J.....		1	South Bend, Ind.....		1
Fort Scott, Kans.....	1	1	Springfield, Mass.....		1
Indianapolis, Ind.....		1	Syracuse, N. Y.....		1
Kalamazoo, Mich.....	1		Topeka, Kans.....		1
Louisville, Ky.....		1	Wheeling, W. Va.....	1	
Manchester, N. H.....	1	1			

CHANCROID.

Cases Reported in Extra-Cantonment Zones, Week Ended Feb. 8, 1919.

Camp Logan zone, Tex.....	Cases. 6	Camp Zachary Taylor zone, Ky. and Ind.....	Cases. 1
Camp McClellan zone, Ala.....	1	Tidewater health district, Va.....	4
Camp Sheridan zone, Ala.....	2	Camp Travis zone, Tex.....	1

DIPHTHERIA:

Cases Reported in Extra-Cantonment Zones, Week Ended Feb. 8, 1919.

Cases.	Cases.
Camp Dix zone, N. J..... 1	Portsmouth and Norfolk County health district, Va..... 5
Camp Dodge zone, Iowa..... 5	Camp Sherman zone, Ohio..... 1
Camp Gordon zone, Ga..... 2	Camp Zachary Taylor zone, Ky. and Ind..... 5
Gulfport health district, Miss..... 1	Tidewater health district, Va..... 4
Camp Humphreys zone, Va..... 1	Camp Travis zone, Tex..... 2
Fort Leavenworth zone, Kans..... 4	Camp Upton zone, N. Y..... 4
Fort Oglethorpe zone, Ga. and Tenn..... 1	Wilmington sanitary district, N. C..... 2
Camp Polk zone, N. C..... 1	

See also Diphtheria, measles, scarlet fever, and tuberculosis, page 299.

GONORRHEA.

Cases Reported in Extra-Cantonment Zones, Week Ended Feb. 8, 1919.

Cases.	Cases.
Camp Bowie zone, Tex..... 11	Picric Acid Plant zone, Ga..... 4
Camp Dodge zone, Iowa..... 4	Camp Pike zone, Ark..... 10
Camp Eberts zone, Ark..... 1	Portsmouth-Kittery sanitary district, N. H. and Me..... 3
Fayetteville sanitary district, N. C..... 9	Camp Sheridan zone, Ala..... 21
Camp Gordon zone, Ga..... 13	Camp Sherman zone, Ohio..... 4
Gulfport health district, Miss..... 4	Camp Zachary Taylor zone, Ky. and Ind..... 41
Camp Jackson zone, S. C..... 2	Tidewater health district, Va..... 50
Fort Leavenworth zone, Kans..... 1	Camp Travis zone, Tex..... 16
Camp Lee zone, Va..... 1	Camp Wadsworth zone, S. C..... 4
Camp Logan zone, Tex..... 20	Wilmington sanitary district, N. C..... 2
Camp McClellan zone, Ala..... 5	

INFLUENZA.

Cases Reported in Extra-Cantonment Zones, Week Ended Feb. 8, 1919.

Cases.	Cases.
Camp Beauregard zone, La..... 23	Camp McClellan zone, Ala..... 8
Camp Bowie zone, Tex..... 9	Camp Merritt zone, N. J..... 37
Charleston sanitary district, S. C..... 61	Fort Oglethorpe zone, Ga. and Tenn..... 19
Camp Devens zone, Mass..... 2	Picric Acid Plant zone, Ga..... 23
Camp Dix zone, N. J..... 4	Camp Pike zone, Ark..... 67
Camp Dodge zone, Iowa..... 4	Camp Polk zone, N. C..... 166
Camp Eberts zone, Ark..... 6	Portsmouth and Norfolk County health district, Va..... 54
Fayetteville sanitary district, N. C..... 6	Portsmouth-Kittery sanitary district, N. H. and Me..... 9
Camp Funston zone, Kans..... 4	Camp Sevier zone, S. C..... 169
Gas and Flame School zone, Ga. and Ala..... 65	Camp Sherman zone, Ohio..... 13
Gerstner Field zone, La..... 17	Souther Field zone, Ga..... 59
Camp Gordon zone, Ga..... 75	Camp Zachary Taylor zone, Ky. and Ind..... 82
Gulfport health district, Miss..... 134	Tidewater health district, Va..... 15
Camp Hancock zone, Ga..... 10	Camp Travis zone, Tex..... 16
Camp Humphreys zone, Va..... 73	Camp Wadsworth zone, S. C..... 24
Camp Jackson zone, S. C..... 99	Wilmington sanitary district, N. C..... 45
Fort Leavenworth zone, Kans..... 17	
Camp Lee zone, Va..... 33	
Camp Lewis zone, Wash..... 6	

MALARIA.

Cases Reported in Extra-Cantonment Zones, Week Ended Feb. 8, 1919.

Cases.	Cases.
Camp Beauregard zone, La..... 3	Camp McClellan zone, Ala..... 1
Gulfport health district, Miss..... 10	Camp Pike zone, Ark..... 1

MALARIA—Continued.

State Reports for November and December, 1918.

Place.	New cases reported.	Place.	New cases reported.
Alabama (December):		California (November):	
Coffee County.....	1	Alameda County—	
Colbert County.....	1	Alameda.....	1
Henry County.....	1	Oakland.....	1
Houston County.....	6	Glenn County—	
Jefferson County.....	3	Orland.....	1
Lee County.....	1	Sacramento County—	
Mobile County.....	1	Sacramento.....	1
Pickens County.....	1	San Joaquin County.....	1
Tuscaloosa County.....	10	Tehama County—	
Wilcox County.....	1	Red Bluff.....	1
Total.....	26		6

City Reports for Week Ended Jan. 25, 1919.

Place.	Cases.	Deaths.	Place.	Cases.	Deaths.
Alexandria, La.....	4		New York, N. Y.....		1
Charlotte, N. C.....		1	Philadelphia, Pa.....	1	
Joplin, Mo.....	2		Tuscaloosa, Ala.....	2	

MEASLES.

Cases Reported in Extra-Cantonment Zones, Week Ended Feb. 8, 1919.

Cases.	Cases.
Camp Bowie zone, Tex.....	1
Camp Devens zone, Mass.....	3
Fayetteville sanitary district, N. C.....	2
Camp Funston zone, Kans.....	1
Gas and Flame School zone, Ga. and Ala.....	4
Camp Gordon zone, Ga.....	1
Camp Humphreys zone, Va.....	1
Camp Jackson zone, S. C.....	4
Camp Lewis zone, Wash.....	2
Camp Logan zone, Tex.....	7
Muscle Shoals sanitary district, Ala.....	10
Fort Oglethorpe zone, Ga. and Tenn.....	1
Picric Acid Plant zone, Ga.....	6
Camp Pike zone, Ark.....	9
Camp Polk zone, N. C.....	5
Portsmouth and Norfolk County health district, Va.....	13
Camp Sherman zone, Ohio.....	1
Camp Zachary Taylor zone, Ky. and Ind.....	9
Camp Travis zone, Tex.....	1
Camp Wadsworth zone, S. C.....	10

See also Diphtheria, measles, scarlet fever, and tuberculosis, page 299.

PELLAGRA.

Alabama Reports for December, 1918.

Place.	New cases reported.	Place.	New cases reported.
Alabama:		Alabama—Continued.	
Bullock County.....	1	Mobile County.....	12
Chilton County.....	1	Montgomery County.....	2
Dallas County.....	1	Pickens County.....	1
Etowah County.....	4	Randolph County.....	1
Greene County.....	1	Talladega County.....	2
Hale County.....	1	Tuscaloosa County.....	10
Jefferson County.....	14		
Marengo County.....	2	Total.....	53

City Reports for Week Ended Jan. 25, 1919.

Place.	Cases.	Deaths.	Place.	Cases.	Deaths.
Atlanta, Ga.....		2	Lynchburg, Va.....		1
Charlotte, N. C.....		1	Memphis, Tenn.....		3
Dallas, Tex.....		1	Raleigh, N. C.....	1	
Houston, Tex.....		1	Richmond, Va.....		1
Little Rock, Ark.....		1			

PNEUMONIA.

Cases Reported in Extra-Cantonment Zones, Week Ended February 8, 1919.

	Cases.		Cases.
Camp Bowie zone, Tex.....	11	Camp Pike zone, Ark.....	11
Camp Dix zone, N. J.....	3	Portsmouth and Norfolk County health district, Va.....	3
Camp Eberts zone, Ark.....	2	Portsmouth-Kittery sanitary district, N. H. and Me.....	1
Fayetteville sanitary district, N. C.....	4	Camp Sevier zone, S. C.....	10
Camp Funston zone, Kans.....	4	Souther Field zone, Ga.....	2
Gas and Flame School zone, Ga. and Ala.....	6	Tidewater health district, Va.....	1
Gerstner Field zone, La.....	1	Camp Travis zone, Tex.....	7
Gulfport health district, Miss.....	7	Camp Upton zone, N. Y.....	6
Camp Logan zone, Tex.....	3	Wilmington sanitary district, N. C.....	10
Camp McClellan zone, Ala.....	2		
Camp Merritt zone, N. J.....	5		
Picric Acid Plant zone, Ga.....	5		

City Reports for Week Ended Jan. 25, 1919.

Place.	Cases.	Deaths.	Place.	Cases.	Deaths.
Akron, Ohio.....	1		Louisville, Ky.....	5	14
Albany, N. Y.....	9		Lowell, Mass.....	4	5
Alexandria, La.....	1		Ludington, Mich.....	1	1
Atlanta, Ga.....	1	57	Lynn, Mass.....	1	4
Baltimore, Md.....	42	51	Malden, Mass.....	6	1
Barre, Vt.....	4		Manchester, Conn.....	2	1
Battle Creek, Mich.....	1	1	Marion, Ohio.....	1	
Berkeley, Cal.....	1		Middletown, N. Y.....	1	1
Bloomfield, N. J.....	3	1	Montclair, N. J.....	13	2
Boston, Mass.....	84	25	Montgomery, Ala.....	5	10
Brunswick, Ga.....	2	1	Morgantown, W. Va.....	1	
Cambridge, Mass.....	3	2	Mount Vernon, N. Y.....	1	1
Camden, N. J.....	35		New Britain, Conn.....	2	1
Charleston, W. Va.....	6	5	Newburyport, Mass.....	1	
Chicago, Ill.....	551	157	New London, Conn.....	1	
Chillicothe, Ohio.....	2	3	Newport, Ky.....	10	1
Cleveland, Ohio.....	56	50	Newport, R. I.....	4	
Columbia, S. C.....	6		New York, N. Y.....	917	653
Cranston, R. I.....	5	5	Northampton, Mass.....	1	1
Dayton, Ohio.....	5	5	North Tonawanda, N. Y.....	3	2
Detroit, Mich.....	33	84	Norwich, Conn.....	3	2
Duluth, Minn.....	8	6	Orange, N. J.....	2	5
Dunkirk, N. Y.....	2		Parkersburg, W. Va.....	10	6
East Orange, N. J.....	11	2	Passaic, N. J.....	10	4
Elmira, N. Y.....	2	3	Perth Amboy, N. J.....	4	2
Englewood, N. J.....	3	1	Philadelphia, Pa.....	267	84
Fall River, Mass.....	10	1	Port Chester, N. Y.....	14	2
Flint, Mich.....	2	3	Riverside, Cal.....	1	
Framingham, Mass.....	1		Rochester, N. Y.....	16	3
Freeport, Ill.....	1		Rome, N. Y.....	2	
Grand Rapids, Mich.....	9	2	Sacramento, Cal.....	2	5
Green Bay, Wis.....	1	1	Saginaw, Mich.....	1	4
Hackensack, N. J.....	3	7	San Diego, Cal.....	2	1
Hancock, Mich.....	2	2	Sandusky, Ohio.....	4	1
Harrison, N. J.....	2		Sault Ste. Marie, Mich.....	4	1
Hartford, Conn.....	3	6	Sioux Falls, S. Dak.....	2	4
Haverhill, Mass.....	3	3	Somerville, Mass.....	1	1
Helena, Ark.....	3	3	Spartanburg, S. C.....	1	
Highland Park, Mich.....	8	3	Springfield, Mass.....	9	1
Jersey City, N. J.....	6		Stockton, Cal.....	14	13
Joplin, Mo.....	1		Taunton, Mass.....	3	3
Kalamazoo, Mich.....	1	1	Tiffin, Ohio.....	1	
Kansas City, Kans.....	6		Topeka, Kans.....	1	
Kansas City, Mo.....	32	20	Trenton, N. J.....	3	6
Kokomo, Ind.....	2		Troy, N. Y.....	3	4
Lackawanna, N. Y.....	1	2	Urbana, Ill.....	2	
Lancaster, Ohio.....	1	2	Wakefield, Mass.....	2	1
Lawrence, Mass.....	2		Waterbury, Conn.....	16	2
Little Rock, Ark.....	33	3	Wichita, Kans.....	1	
Long Branch, N. J.....	1	1	Yonkers, N. Y.....	6	4
Lorain, Ohio.....	3	2	Youngstown, Ohio.....	1	6
Lcs Angeles, Cal.....	19	24			

POLIOMYELITIS (INFANTILE PARALYSIS).**State Reports for November and December, 1918.**

Place.	New cases reported.	Place.	New cases reported.
Alabama (December):		California—Continued.	
Jefferson County.....	1	Mendocino County.....	1
California (November):		San Bernardino County—	
Lake County.....	1	Redlands.....	1
Los Angeles County—		San Francisco.....	2
Huntington Park.....	1	Total.....	6

City Reports for Week Ended Jan. 25, 1919.

Place.	Cases.	Deaths.	Place.	Cases.	Deaths.
Boston, Mass.....		1	New Haven, Conn.....	1	
Chicago, Ill.....	1		Oakland, Cal.....	1	

RABIES IN ANIMALS.**City Reports for Week Ended Jan. 25, 1919.**

Rabies in animals was reported during the week ended January 25, 1919, as follows: Akron, Ohio, one case; Kansas City, Mo., three cases; Memphis, Tenn., two cases.

SCARLET FEVER.**Cases Reported in Extra-Cantonment Zones, Week Ended February 8, 1919.**

	Cases.		Cases.
Charleston sanitary district, S. C.....	1	Camp Pike zone, Ark.....	6
Camp Dodge zone, Iowa.....	1	Camp Polk zone, N. C.....	2
Camp Funston zone, Kans.....	5	Camp Sevier zone, S. C.....	1
Camp Gordon zone, Ga.....	2	Camp Sherman zone, Ohio.....	1
Camp Hancock zone, Ga.....	1	Camp Zachary Taylor zone, Ky. and Ind.....	7
Camp Lee zone, Va.....	1	Wilmington sanitary district, N. C.....	1

See also Diphtheria, measles, scarlet fever, and tuberculosis, page 299.

SMALLPOX.**Cases Reported in Extra-Cantonment Zones, Week Ended February 8, 1919.**

	Cases.		Cases.
Camp Bowie zone, Tex.....	1	Fort Leavenworth zone, Kans.....	1
Camp Dodge zone, Iowa.....	1	Camp Polk zone, N. C.....	7
Camp Funston zone, Kans.....	5	Portsmouth and Norfolk County health district, Va.....	21
Gas and Flame School zone, Ga. and Ala.....	4	Camp Sevier zone, S. C.....	1
Gerstner Field zone, La.....	2	Camp Wadsworth zone, S. C.....	1
Camp Gordon zone, Ga.....	44		

SMALLPOX—Continued.

California Report for November, 1918—Vaccination Histories.

Place.	New cases reported.	Deaths.	Vaccination history of cases.			
			Number vaccinated within 7 years preceding attack.	Number last vaccinated more than 7 years preceding attack.	Number never successfully vaccinated.	Vaccination history not obtained or uncertain.
California:						
Alameda County—						
Oakland.....	6			1	5	
Butte County.....	1				1	
Chico.....	1				1	
Contra Costa County.....	2				2	
Martinez.....	1				1	
Richmond.....	1				1	
Fresno County.....	1				1	
Fresno.....	3				3	
Kern County.....	1				1	
Los Angeles County—						
Pasadena.....	1				1	
Pomona.....	5			1	4	
Los Angeles.....	4			1	4	
Monterey County.....	3				3	
Orange County—						
Santa Ana.....	5				5	
San Diego County—						
East San Diego.....	1			1		
San Diego.....	1				1	
San Francisco.....	4				4	
San Joaquin County—						
Stockton.....	4				4	
San Mateo County.....	3				2	
Santa Clara County.....	1				1	
Palo Alto.....	12			1	11	
San Jose.....	1				1	
Santa Cruz County.....	1				1	
Watsonville.....	14			1	13	
San Luis Obispo County—						
Arroyo Grande.....	2				2	
Siskiyou County.....	6				6	
Dunsmuir.....	2				2	
Sisson.....	1				1	
Stanislaus County.....	11				11	
Tulare County.....	3				3	
Total.....	102			5	97	

State Reports for December, 1918.

Place.	Cases.	Deaths.	Place.	Cases.	Deaths.
Alabama:			Oregon:		
Colbert County.....	10		Clackamas County.....	1	
Cullman County.....	250		Clatsop County.....	2	
Dallas County.....	2		Grant County.....	2	
Etowah County.....	1	1	Hood River County.....	1	
Jefferson County.....	11		Jackson County.....	9	
Lauderdale County.....	8		Klamath County.....	1	
Lee County.....	1		Lincoln County.....	2	
Mobile County.....	3		Umatilla County.....	1	
Shelby County.....	6		Wasco County.....	2	
Winston County.....	1		Yamhill County.....	3	
Total.....	263	1	Portland.....	23	
			Total.....	47	

SMALLPOX—Continued.

City Reports for Week Ended Jan. 25, 1919.

Place.	Cases.	Deaths.	Place.	Cases.	Deaths.
Akron, Ohio.....	1		Madison, Wis.....	2	
Alliance, Ohio.....	1		Marinette, Wis.....	3	
Atlanta, Ga.....	16		Marshalltown, Iowa.....	7	
Bedford, Ind.....	2		Memphis, Tenn.....	1	
Berkeley, Cal.....	2		Middletown, Ohio.....	1	
Birmingham, Ala.....	2		Milwaukee, Wis.....	1	
Boise, Idaho.....	1		Minneapolis, Minn.....	5	
Brunswick, Ga.....	2		Muskogee, Okla.....	3	
Chanute, Kans.....	5		North Yakima, Wash.....	13	
Chicago, Ill.....	13		Ogden, Utah.....	6	
Cleveland, Ohio.....	9		Oklahoma City, Okl.....	8	
Council Bluffs, Iowa.....	1		Omaha, Nebr.....	17	
Dallas, Tex.....	2		Pekin, Ill.....	9	
Davenport, Iowa.....	1		Pittsburgh, Pa.....	3	
Denver, Colo.....	20		Pontiac, Mich.....	1	
Des Moines, Iowa.....	2		Portland, Oreg.....	7	
Detroit, Mich.....	4		Rock Island, Ill.....	6	
Elgin, Ill.....	8		St. Joseph, Mo.....	2	
Fargo, N. Dak.....	1		St. Paul, Minn.....	22	
Fort Dodge, Iowa.....	3		Salt Lake City, Utah.....	2	
Freeport, Ill.....	1		San Bernardino, Cal.....	1	
Great Falls, Mont.....	5		Seattle, Wash.....	12	
Green Bay, Wis.....	1		Sioux City, Iowa.....	2	
Ironwood, Mich.....	3		Springfield, Ohio.....	1	
Kalamazoo, Mich.....	3		Superior, Wis.....	3	
Kansas City, Mo.....	7		Tacoma, Wash.....	2	
Lincoln, Nebr.....	18		Tiffin, Ohio.....	2	
Long Beach, Cal.....	4		Toledo, Ohio.....	3	
Los Angeles, Cal.....	1		Washington, D. C.....	4	
Louisville, Ky.....	1		Youngstown, Ohio.....	1	
Ludington, Mich.....	1		Zanesville, Ohio.....	1	

SYPHILIS.

Cases Reported in Extra-Cantonment Zones, Week Ended February 8, 1919.

Cases.	Cases.
Camp Bowie zone, Tex.....	12
Fayetteville sanitary district, N. C.....	1
Camp Gordon zone, Ga.....	10
Camp Jackson zone, S. C.....	10
Camp Logan zone, Tex.....	20
Camp McClellan zone, Ala.....	3
Pieric Acid Plant zone, Ga.....	4
Camp Pike zone, Ark.....	2
Camp Sheridan zone, Ala.....	12
Camp Sherman zone, Ohio.....	4
Camp Zachary Taylor zone, Ky. and Ind.....	49
Tidewater health district, Va.....	15
Camp Travis zone, Tex.....	7

TETANUS.

City Reports for Week Ended Jan. 25, 1919.

During the week ended January 25, 1919, there were three cases of tetanus reported—one each at New Orleans, La., St. Louis, Mo., and Troy, N. Y. There was one death reported at Kansas City, Mo.

TUBERCULOSIS.

Cases Reported in Extra-Cantonment Zones, Week Ended February 8, 1919.

Cases.	Cases.
Charleston sanitary district, S. C.....	1
Camp Gordon zone, Ga.....	2
Gulfport health district, Miss.....	1
Camp Humphreys zone, Va.....	1
Camp Jackson zone, S. C.....	3
Camp Lee zone, Va.....	9
Camp Logan zone, Tex.....	1
Camp McClellan zone, Ala.....	1
Camp Pike zone, Ark.....	7
Camp Polk zone, N. C.....	1
Portsmouth and Norfolk County health district, Va.....	1
Portsmouth-Kittery sanitary district, N. H. and Me.....	1
Camp Zachary Taylor zone, Ky. and Ind.....	7
Tidewater health district, Va.....	3
Camp Travis zone, Tex.....	3
Camp Wadsworth zone, S. C.....	1
Wilmington sanitary district, N. C.....	2

See also Diphtheria, measles, scarlet fever, and tuberculosis, page 299.

TYPHOID FEVER.

Cases Reported in Extra-Cantonment Zones, Week Ended February 8, 1919.

	Cases.		Cases.
Camp Pike zone, Ark.....	1	Wilmington sanitary district, N. C.....	1
Camp Polk zone, N. C.....	1		

State Reports for November and December, 1918.

Place.	New cases reported.	Place.	New cases reported.
Alabama (December):		California (November)—Continued.	
Butler County.....	1	Los Angeles County—	
Colbert County.....	7	Long Beach.....	1
Coosa County.....	1	Los Angeles.....	6
Etowah County.....	1	Imperial County—	
Greene County.....	1	El Centro.....	1
Hale County.....	1	Riverside County—	
Henry County.....	3	Blythe.....	4
Jackson County.....	1	Banning.....	1
Jefferson County.....	7	San Diego County—	
Lauderdale County.....	1	Esccondido.....	1
Lee County.....	1	National City.....	1
Marion County.....	1	San Francisco.....	4
Mobile County.....	1	Shasta County.....	1
Montgomery County.....	1	Santa Cruz County—	
Pike County.....	1	Santa Cruz.....	1
Talladega County.....	1	Total.....	26
Wilcox County.....	1		
Total.....	31	Oregon (December):	
California (November):		Baker County.....	1
Alameda County—		Clatsop County.....	1
Berkeley.....	1	Douglas County.....	1
Oakland.....	1	Hood River County.....	1
Fresno County.....	1	Klamath County.....	1
Fresno.....	1	Portland.....	2
Kings County—		Total.....	7
Hanford.....	1		

City Reports for Week Ended Jan. 25, 1919.

Place.	Cases.	Deaths.	Place.	Cases.	Deaths.
Akron, Ohio.....	1		New Orleans, La.....	1	1
Baltimore, Md.....	2	1	Newton, Mass.....	2	
Birmingham, Ala.....	1		New York, N. Y.....	7	1
Boston, Mass.....	3		North Attleboro, Mass.....	1	
Buffalo, N. Y.....	2	2	Oakland, Cal.....	1	1
Butler, Pa.....	19		Omaha, Nebr.....	1	
Chicago, Ill.....	5	1	Orange, N. J.....		1
Cumberland, Md.....	1		Philadelphia, Pa.....	7	1
Dallas, Tex.....		1	Rahway, N. J.....	1	
Detroit, Mich.....	2	1	Reading, Pa.....	1	
Haverhill, Mass.....	1		Richmond, Va.....		1
Houston, Tex.....	2		Riverside, Cal.....		1
Indianapolis, Ind.....		1	Rochester, N. Y.....	1	
Ironton, Ohio.....	6		Saginaw, Mich.....	1	
Kalamazoo, Mich.....	1		St. Louis, Mo.....	2	
Kansas City, Kans.....	3		Somerville, Mass.....	2	
Kansas City, Mo.....	1	1	Washington, D. C.....	3	
Lawrence, Mass.....	8		Washington, Pa.....	3	
Los Angeles, Cal.....	2	3	Williamsport, Pa.....	1	
Milwaukee, Wis.....	1	2	Wilmington, Del.....		1
Mobile, Ala.....	1		Wilmington, N. C.....	1	
Moline, Ill.....	1	1	Youngstown, Ohio.....		1
New Bedford, Mass.....	1		Zanesville, Ohio.....	2	3

DIPHTHERIA, MEASLES, SCARLET FEVER, AND TUBERCULOSIS.

State Reports for November and December, 1918.

During the month of November, 1918, there were reported in California 177 cases of diphtheria, 6 cases of measles, and 122 cases of scarlet fever. During December the reports for these diseases were as follows: Alabama, diphtheria 39, measles 110, and scarlet fever 35; Oregon, diphtheria 25, measles 34, and scarlet fever 32.

City Reports for Week Ended Jan. 25, 1919.

City.	Popula- tion as of July 1, 1917 (estimated by U. S. Census Bureau).	Total deaths from all causes.	Diphtheria.		Measles.		Scarlet fever.		Tuber- culosis.	
			Cases.	Deaths.	Cases.	Deaths.	Cases.	Deaths.	Cases.	Deaths.
Adams, Mass.....	14,406	5								
Akron, Ohio.....	93,604	13	5		7		3		2	
Alameda, Cal.....	28,433	10	1							
Albany N. Y.....	106,632		7				3		1	
Alexandria, La.....	16,232	11			2					
Allentown, Pa.....	65,109		4				2		1	
Alton, Ill.....	23,783	14								3
Altoona, Pa.....	59,712		5				1			
Ann Arbor, Mich.....	15,041	9								
Arlington, Mass.....	13,073	9								
Asbury Park, N. J.....	14,629	3	1		1				1	
Ashtabula, Ohio.....	22,008	6					1			
Atlanta, Ga.....	196,144		1		2		6			9
Atlantic City, N. J.....	59,515	11							1	1
Attleboro, Mass.....	19,776						2			
Austin, Tex.....	35,612	4	2							
Baltimore, Md.....	504,637	401	36	5	11		38	1	49	35
Barre, Vt.....	12,401	3								1
Battle Creek, Mich.....	30,159	8	2				4			
Beatrice, Nebr.....	10,437	5								
Beaumont, Tex.....	28,851	21								2
Bedford, Ind.....	10,613	6					1			
Bellaire, Ohio.....	14,575	9							1	
Benton Harbor, Mich.....	11,099	4								
Berkeley, Cal.....	60,427	31	3				1		1	
Berlin, N. H.....	13,592	2								
Beverly, Mass.....	22,123	4					1			
Billings, Mont.....	15,123	6								
Binghamton, N. Y.....	54,984	17	4		1		3			2
Birmingham, Ala.....	189,716	87	3		4	1	1	1	11	8
Bloomfield, N. J.....	19,013	1								
Bluefield, W. Va.....	16,123						6			
Boise, Idaho.....	35,951	8					1		1	
Boston, Mass.....	767,613	401	56	8	8		25	1	47	17
Braddock, Pa.....	22,060		2							
Brazil, Ind.....	10,472	3								
Bridgeport, Conn.....	124,724	51	9				4		5	1
Bristol, Conn.....	16,318	7	1	1			1			
Brockton, Mass.....	69,152	29	1				1		2	2
Brookline, Mass.....	33,526	11							1	
Brunswick, Ga.....	10,984	7			11					1
Buffalo, N. Y.....	475,781	252	64	11	17		17	1	25	11
Burlington, Iowa.....	25,144	4					1			
Burlington, Vt.....	21,802	10			25					
Butte, Mont.....	44,057		1		1		3			
Cadillac, Mich.....	10,153								1	
Cairo, Ill.....	15,995	6								
Cambridge, Mass.....	114,293	48	3		1				9	11
Camden, N. J.....	105,117		1				2		4	
Canton, Ill.....	13,674						1			
Canton, Ohio.....	62,566	35			1					1
Carbondale, Pa.....	19,597		1							
Carlisle, Pa.....	10,795		1							
Chambersburg, Pa.....	12,475		1							
Chanute, Kans.....	12,968	7					1			
Charleston, S. C.....	61,041	41								2
Charleston, W. Va.....	31,060	11					1			1
Charlotte, N. C.....	40,759	22			2				1	
Chelsea, Mass.....	48,405	27	2				1		5	

DIPHThERIA, MEASLES, SCARLET FEVER, AND TUBERCULOSIS— Continued.

City Reports for Week Ended Jan. 25, 1919—Continued.

City.	Popula- tion as of July 1, 1917 (estimated by U. S. Census Bureau).	Total deaths from all causes.	Diphtheria.		Measles.		Scarlet fever.		Tuber- culosis.	
			Cases.	Deaths.	Cases.	Deaths.	Cases.	Deaths.	Cases.	Deaths.
Chester, Pa.	41,857				1				2	
Chicago, Ill.	2,547,201	914	121	15	61	1	53	1	314	72
Chicopee, Mass.	29,950	6	1							1
Chillicothe, Ohio.	15,625	7			1		5			
Cincinnati, Ohio.	414,248	110	8	1	2		5		26	14
Cleveland, Ohio.	692,259	272	16		4		4		32	36
Clinton, Mass.	113,075									2
Cohoes, N. Y.	25,292	6							2	
Colorado Springs, Colo.	38,965	12	1				1		2	3
Columbia, Pa.	111,454				10					
Columbia, S. C.	35,165				1				1	
Columbus, Ohio.	220,135	70					5		4	6
Concord, N. H.	22,858	13								2
Connellsville, Pa.	15,876		1				1		1	
Corpus Christi, Tex.	10,783	6	1							
Council Bluffs, Iowa.	31,838	14					1			
Covington, Ky.	59,623	25	2						1	3
Cranston, R. I.	26,773						2			
Cumberland, Md.	26,686	10			24		2		2	
Dallas, Tex.	129,738	55			1	1	1		1	3
Danvers, Mass.	10,037	1	2						1	1
Danville, Ill.	32,969	17	1						2	2
Danville, Va.	20,183	2								
Davenport, Iowa.	49,618						1			
Dayton, Ohio.	123,939	34	1		1		1			
Dedham, Mass.	10,618	3								
Denver, Colo.	268,439	83	6				7			10
Des Moines, Iowa.	104,052	3	3		1		8			
Detroit, Mich.	619,648	33	99	9	5	1	63		32	18
Dover, N. H.	13,276	2								
Dubois, Pa.	14,994		1							
Dubuque, Iowa.	40,096		4							
Duluth, Minn.	97,077	28	5						4	
Dunkirk, N. Y.	21,311	5	1							
Dunmore, Pa.	21,286		2							
Durham, N. C.	26,160	14								1
East Chicago, Ind.	30,286	9								
East Liverpool, Ohio.	22,941	3					1			1
Easton, Pa.	30,854				8					
East Orange, N. J.	43,761	8								1
East Providence, R. I.	18,485						1			
Eau Claire, Wis.	18,887				6		3			
Elgin, Ill.	28,562	9								
Elmira, N. Y.	38,272	19			1		1			
Englewood, N. J.	12,603	5	1		1				1	
Erie, Pa.	76,592		6				1		6	
Escanaba, Mich.	15,854	6								
Eureka, Cal.	15,142	5								
Evanston, Ill.	29,304	5	1		1					
Evansville, Ind.	76,981	12								2
Everett, Mass.	40,160	9	1						3	
Everett, Wash.	37,205						4			
Fairmount, W. Va.	16,111						1			
Fall River, Mass.	129,828	47	8	1	20	2			10	7
Fargo, N. Dak.	17,872	11								
Findlay, Ohio.	14,858	2							1	
Flint, Mich.	57,386	19	9				2			1
Fond du Lac, Wis.	21,486	6					2			
Fort Dodge, Iowa.	21,039						2			
Fort Scott, Kans.	10,564	4								
Fort Wayne, Ind.	78,014	17					2			2
Framingham, Mass.	14,149	4								
Frederick, Md.	11,225	8					1			
Fremont, Ill.	19,544	6								2
Fremont, Ohio.	11,034	3							1	
Fresno, Cal.	26,314	13								3
Galesburg, Ill.	24,629	13			6					
Galveston, Tex.	42,950	9	2							
Grand Forks, N. Dak.	16,342	4								
Grand Rapids, Mich.	132,861	47	6				2		6	1

* Population Apr. 15, 1910.

DIPHTHERIA, MEASLES, SCARLET FEVER, AND TUBERCULOSIS—
Continued.

City Reports for Week Ended Jan. 25, 1919—Continued.

City	Population as of July 1, 1917 (estimated by U. S. Census Bureau).	Total deaths from all causes.	Diphtheria.		Measles.		Scarlet fever.		Tuberculosis.	
			Cases.	Deaths.	Cases.	Deaths.	Cases.	Deaths.	Cases.	Deaths.
Great Falls, Mont.	13,948	5			3					
Green Bay, Wis.	30,017	16	1							
Greenfield, Mass.	12,251	4			1		1			1
Greensboro, N. C.	20,171	10								4
Greenwich, Conn.	19,594								2	1
Hackensack, N. J.	17,412	14								
Hancock, Mich.	12,578	3								
Harrisburg, Pa.	73,276						2			
Harrison, N. J.	17,345								2	1
Hartford, Conn.	112,831	62	9		31	1	10	2	3	1
Haverhill, Mass.	49,180	16	2						2	2
Hazleton, Pa.	28,981		3							
Helena, Ark.	11,122	8							1	1
Highland Park, Mich.	33,859	7	10				2		1	
Hoboken, N. J.	78,324	10	5						3	
Holland, Mich.	12,459	2								
Hoquiam, Wash.	12,230						2			
Houston, Tex.	116,878	58	4		1		1			1
Hutchinson, Kans.	21,461				2					
Indianapolis, Ind.	233,622	102	19		5		5		5	10
Ironton, Ohio.	14,079	8								
Ironwood, Mich.	15,095	9								
Ithaca, N. Y.	16,017	4								
Janesville, Wis.	14,411	7					11		1	2
Jersey City, N. J.	312,557		32		4					
Johnstown, Pa.	70,473		5		3		9		13	
Joplin, Mo.	33,400	5	1						7	
Kalamazoo, Mich.	50,408	18	2						2	1
Kansas City, Kans.	102,086								6	
Kansas City, Mo.	305,816	138	7	1	2		3			12
Keene, N. H.	10,725	4								
Knoxville, Tenn.	59,112				2				3	3
Kokomo, Ind.	21,929	5					5			
Lackawanna, N. Y.	16,219	7	1		9				1	
La Crosse, Wis.	31,633	7								
La Fayette, Ind.	21,481	7					1			1
Lakewood, Ohio.	23,613	9							5	1
Lancaster, Ohio.	16,086	5			2					
Lancaster, Pa.	51,437		2		38					
Lawrence, Kans.	13,477	4			2				1	2
Lawrence, Mass.	102,923	40	3	1	2					2
Leavenworth, Kans.	19,363	4	2							
Lima, Ohio.	37,145	19					2			2
Lincoln, Nebr.	46,957	18	2				10		1	
Lincoln, R. I.	10,473		1							
Little Rock, Ark.	58,716	12			2		6		3	1
Logansport, Ind.	21,338	13					1	1		1
Long Beach, Cal.	29,163	22	1							
Long Branch, N. J.	15,733	2	1						1	
Lorain, Ohio.	38,266				8		2			
Los Angeles, Cal.	535,485	355	6	1	2		10		54	40
Louisville, Ky.	240,808	73	14	3			1		10	3
Lowell, Mass.	114,366	68	3	1	7		2		8	6
Lynchburg, Va.	33,497	22								1
Lynn, Mass.	104,534	35	11	1	1		5		4	6
McKeesport, Pa.	48,299						4		1	
Madison, Wis.	31,315	7			2		3			
Mahanoy City, Pa.	17,709		2							
Malden, Mass.	52,243	11	1				5		1	2
Manchester, Conn.	15,859	6			4		4			
Manchester, N. H.	79,607	53	3				5		12	4
Manistee, Mich.	12,381	1								
Manitowoc, Wis.	13,531	6								2
Marinette, Wis.	14,610	7			4		1			
Marion, Ind.	19,923	11	2		4		8			
Marion, Ohio.	24,129		1							
Marshalltown, Iowa.	14,519		1				3			
Martins Ferry, Ohio.	10,135		1				1			
Mason City, Iowa.	14,638	3								

1 Population Apr. 15, 1910.

DIPHTHERIA, MEASLES, SCARLET FEVER, AND TUBERCULOSIS—Continued.

City Reports for Week Ended Jan. 25, 1919—Continued.

City	Popula- tion as of July 1, 1917 (estimated by U. S. Census Bureau).	Total deaths from all causes.	Diphtheria.		Measles.		Scarlet fever.		Tuber- culosis.	
			Cases.	Deaths.	Cases.	Deaths.	Cases.	Deaths.	Cases.	Deaths.
Meadville, Pa.....	13,968		1							
Medford, Mass.....	26,681	12						1		1
Melrose, Mass.....	17,724	2					1			
Memphis, Tenn.....	151,877	117	3		9		3		6	12
Meriden, Conn.....	29,431		4				3			
Methuen, Mass.....	14,320	3								
Middletown, N. Y.....	15,890								1	
Middletown, Ohio.....	16,584	2								
Milwaukee, Wis.....	445,008	123	12	1			17		27	9
Minneapolis, Minn.....	373,448	109	22	2	5		16		15	8
Missoula, Mont.....	19,075	17								
Mobile, Ala.....	59,201	50			1					3
Moline, Ill.....	27,976	3	1							
Monessen, Pa.....	23,070		6							
Montclair, N. J.....	27,087	4							1	2
Montgomery, Ala.....	44,039	18								
Morgantown, W. Va.....	14,444	2							1	
Morristown, N. J.....	13,410	6							1	1
Mount Carmel, Pa.....	20,709		2						1	
Mount Vernon, N. Y.....	37,991	11							8	
Muskogee, Okla.....	47,173		1							1
Nanticoke, Pa.....	23,811		1							
Nashville, Tenn.....	118,136		1		18					
New Bedford, Mass.....	121,622	39	5		1		11		1	5
New Britain, Conn.....	55,385	14							15	6
New Britain, Conn.....	55,385	14								1
Newport, Mass.....	15,291	5	2		20		6			
New Castle, Pa.....	41,915		2							
New Haven, Conn.....	152,275	63	4	1	6		6		11	9
New London, Conn.....	21,199	7								
New Orleans, La.....	377,010	345	13		1				24	22
Newport, Ky.....	32,133	11								
Newport, R. I.....	30,585	9								1
Newton, Mass.....	44,345	10	2		1				1	
New York, N. Y.....	5,737,492	2,577	298	37	44	1	136	5	361	198
Niagara Falls, N. Y.....	38,466	16	2				1			
Norfolk, Va.....	90,148		2		5				2	2
North Adams, Mass.....	122,019	10		1					1	1
Northampton, Mass.....	20,006	13	1		1		1			
North Attleboro, Mass.....	11,243	5	1		1					
North Tonawanda, N. Y.....	14,060	10	1	1					1	
North Yakima, Wash.....	22,058						7			
Norwich, Conn.....	21,923	3	2					1	2	
Oakland, Cal.....	206,405	118	4				2			6
Oak Park, Ill.....	27,816	11	1			11			1	
Ogden, Utah.....	32,345	13	2							
Oklahoma City, Okla.....	97,588	27	2		4		2			4
Olean, N. Y.....	16,927	6								
Omaha, Nebr.....	177,777		4		10		4			6
Orange, Conn.....	14,393	6	1						4	
Orange, N. J.....	33,636	22	2				2		1	2
Parkersburg, W. Va.....	21,059	9							2	
Passaic, N. J.....	74,478	15	9						2	
Pawtucket, R. I.....	60,666	29					1			1
Peeckskill, N. Y.....	19,034	3								
Pekin, Ill.....	10,973						1			
Pecoria, Ill.....	72,184	29		1						
Perth Amboy, N. J.....	42,646	10	1							
Philadelphia, Pa.....	1,735,514	762	73	18	16	2	50	1	115	68
Piqua, Ohio.....	14,275	2					1			
Pittsburgh, Pa.....	586,196		14		1		10		25	
Pittsfield, Mass.....	39,678	15								1
Plainfield, N. J.....	24,330	9	4		1		5		1	1
Plattsburg, N. Y.....	13,111	9	2							
Plymouth, Mass.....	14,001	4		1						2
Plymouth, Pa.....	19,439		1		20					
Pocatello, Idaho.....	12,806	5								
Pontiac, Mich.....	18,006	3	4							
Port Chester, N. Y.....	16,727	5	1							
Portland, Me.....	64,720	37	1				3			
Portland, Oreg.....	308,399	194			1		4		6	5

¹ Population Apr. 15, 1910.

DIPHThERIA, MEASLES, SCARLET FEVER, AND TUBERCULOSIS—
Continued.

City Reports for Week Ended Jan. 25, 1919—Continued.

City.	Popula- tion as of July 1, 1917 (estimated by U. S Census Bureau).	Total deaths from all causes.	Diphtheria.		Measles		Scarlet fever.		Tuber- culosis.	
			Cases.	Deaths.	Cases.	Deaths.	Cases.	Deaths.	Cases.	Deaths.
Wausau, Wis.	19,666	5								
Westfield, Mass.	18,769	13	7	1			4			1
West Hoboken, N. J.	44,386	9					1		2	
West New York, N. J.	19,613	5	4				1			1
West Orange, N. J.	13,964		2							
Wheeling, W. Va.	43,657	22	1						1	
Wichita, Kans.	73,597	28			2				2	1
Wilkes-Barre, Pa.	76,334		4		3		1		1	
Williamsport, Pa.	34,123		2							
Wilmington, Del.	95,369	67	2							2
Wilmington, N. C.	30,400	25			1				1	1
Winchester, Mass.	10,812	6								
Winona, Minn.	¹ 18,583	10								
Winston-Salem, N. C.	33,136	15	2				1		3	3
Winthrop, Mass.	13,106				3		1			
Woburn, Mass.	16,076	2								
Yonkers, N. Y.	103,066	30	2				1		12	3
Youngstown, Ohio.	112,282	68	2	1	7		2			
Zanesville, Ohio.	31,320	15	1							1

¹ Population Apr. 15, 1910.

FOREIGN.

ARABIA.

Influenza—Aden.

Influenza was reported present at Aden, Arabia, during November and December, 1918, with 77 fatalities. (Population in 1911, 46,165.)

CANADA.

Influenza—Winnipeg.

Influenza was reported present at Winnipeg, Manitoba, Canada, in October, 1918. During the month of November, 1918, 9,031 cases of the disease were notified, with 526 deaths, and in December, 1918, 2,859 cases, with 197 fatalities. During the two weeks ended January 14, 1919, 847 cases were notified, with 79 fatalities, and during the week ended January 25, 1919, 126 cases with 22 fatalities. (Estimated population, 183,595.)

DUTCH GUIANA.

Influenza—Parimaribo.

Influenza was reported present in epidemic form at Parimaribo, Dutch Guiana, during the last week in November and throughout the month of December, 1918. On January 14, 1919, the disease was reported still present.

MALTA.

Influenza—September, 1918.

Influenza was reported present in the island of Malta during the month of September, 1918.

PORTUGUESE EAST AFRICA.

Further Relative to Influenza—Lourenço Marques.¹

During the two weeks ended November 17, 1918, epidemic influenza was reported present at Lourenço Marques, with a total of 252 cases. (Officially estimated population, 14,000.)

¹ Public Health Reports, Jan. 10, 1919, p. 65.

SWEDEN.**Influenza—Gothenburg—Malmo—Stockholm.**

At Gothenburg, Sweden, 1,084 cases of influenza were reported for the week ended July 27, 1918. During the month of August 2,981 cases with an inconsiderable mortality were reported. For the month of September, 1918, 1,981 cases were reported. In October, 1918, a total of 9,644 cases was reported with 409 fatalities; in November, 3,693 cases with 196 fatalities. During the week ended December 7, 1918, 630 cases with 23 fatalities were reported. (Population, 196,300.)

Influenza was reported at Malmo, Sweden, during the weeks ended July 13 and 27, 1918, with 28 and 36 cases respectively. During the week ended August 3, 1918, 386 cases were reported and in the three weeks ended August 10, August 17, and August 31, a total of 1,234 cases was reported, the greatest number, viz., 629 cases being reported for the week ended August 17. During the month of September 3,092 cases with 73 fatalities were reported, the greatest number, viz, 1,614 cases with 56 deaths, having occurred during the last week of the month. Prevalence of influenza was reported in October for the weeks ended October 5, 12, and 19, as follows: 1,924, 1,843, and 1,400, with a total of 220 fatalities. In November, 1918, a total of 1,738 cases was reported for the entire month, with 103 fatalities. During the week ended December 7, 1918, 516 cases with 23 fatalities were reported. (Estimated population, 112,700.)

At Stockholm influenza was reported present during August, 1918, with 733 cases, of which 411 cases were notified during the second week in August and 42 cases from August 25 to 31, 1918. From September 15 to 28, 232 cases were notified and during the month of October, 1,458 cases. (Estimated population, 413,163.)

UNION OF SOUTH AFRICA.**Influenza—East London—Johannesburg.**

Influenza was reported present at East London, Union of South Africa, during the month of October, 1918, with 194 fatalities, of which 149 occurred among the native population. (Population, 25,521; European, 14,492; native, 11,029.)

At Johannesburg epidemic influenza was reported present throughout the month of October, 1918. During this period 1,499 fatalities were reported from influenza and 188 from pneumonia in a population officially estimated at 254,939.

WEST INDIES.**Influenza—Trinidad.**

Influenza in light form was reported present in the island of Trinidad, West Indies, in December, 1918.

CHOLERA, PLAGUE, SMALLPOX, TYPHUS FEVER, AND YELLOW FEVER.**Reports Received During Week Ended Feb. 14, 1919.¹****CHOLERA.**

Place.	Date.	Cases.	Deaths.	Remarks.
India:				
Madras.....	Nov. 24-30.....	11	4	
Rangoon.....	Nov. 10-30.....	7	7	
Philippine Islands:				
Manila.....	Dec. 22-28.....	1	1	
Provinces:				
Bataan.....	Dec. 22-28.....	1	1	
Batangas.....	do.....	8	5	
Bulacan.....	do.....	17	11	
Capiz.....	do.....	7	5	
Cavite.....	do.....	19	12	
Ilocos Sur.....	do.....	12	8	
Laguna.....	do.....	5	4	
Misamis.....	do.....	35	22	
Pangasinan.....	do.....	62	42	
Tayabas.....	do.....	11	8	
Union.....	do.....	2	2	
Zamboanga.....	do.....	9	7	
				Dec. 22-28, 1918: Cases, 188; deaths, 127.

PLAGUE.

India.....				
Bombay.....	Nov. 10-16.....	2	2	
Madras Presidency.....	Nov. 16-30.....	119	87	
Rangoon.....	Nov. 3-9.....	4	4	
				Nov. 17-23, 1918: Cases, 641; deaths, 491.

SMALLPOX.

Canada:				
Nova Scotia—				
Halifax.....	Jan. 19-25.....	10		
Sydney.....	do.....	1		
Quebec—				
Paspebiac.....	do.....	1		
Canal Zone.....	Aug. 1-Dec. 31.....	133		
Do.....	Jan. 1-25.....	28		
China:				
Poochow.....	Dec. 15-21.....			
Nanking.....	do.....			
Egypt:				
Alexandria.....	Dec. 17-23.....	1	1	
India:				
Bombay.....	Nov. 10-16.....	1		
Madras.....	Nov. 24-30.....	6	3	
Rangoon.....	Nov. 17-23.....	1	1	
Mesopotamia:				
Bagdad.....	Nov. 2-8.....	59	9	
Mexico:				
Mexico City.....	Sept. 22-Nov. 2.....	14		
Newfoundland:				
St. John's.....	Jan. 18-24.....	1		
Outports—				
Kings Cove.....	do.....	1		
St. Jacques.....	do.....	2		
Portuguese East Africa:				
Lourenço Marques.....				
				July 1-Oct. 31, 1918: 45 fatal cases.
Spain:				
Seville.....	Nov. 1-30.....		2	
Valencia.....	Dec. 15-21.....	25	5	
Union of South Africa:				
Johannesburg.....	Oct. 1-31.....	7		

TYPHUS FEVER.

Egypt:			
Alexandria.....	Dec. 10-31.....	18	12
Great Britain:			
Glasgow.....	Dec. 22-28.....	5	
Mexico:			
Mexico City.....	Sept. 22-Nov. 2.....	244	

¹ From medical officers of the Public Health Service, American consuls, and other sources.

CHOLERA, PLAGUE, SMALLPOX, TYPHUS FEVER, AND YELLOW FEVER—Continued.

Reports Received During Week Ended Feb. 14, 1919—Continued.

YELLOW FEVER.

Place.	Date.	Cases.	Deaths.	Remarks.
Brazil: Pernambuco.....	Nov. 16-30.....	1	1	

Reports Received from Dec. 28, 1918, to Feb. 7, 1919.

CHOLERA.

Place.	Date.	Cases.	Deaths.	Remarks.
Ceylon:				
Colombo.....	Nov. 17-30.....	4	5	
India:				
Bombay.....	Aug. 18-Nov. 9.....	26	15	
Calcutta.....	Sept. 29-Nov. 30.....	67	67	Report for Nov. 23, 1918, missing.
Madras.....	Oct. 5-Nov. 23.....	123	88	
Rangoon.....	Oct. 5-26.....	3	3	
Indo-China:				
Anam.....	Aug. 1-31.....	5	5	
Cambodia.....	do.....	98	71	
Cochin-China.....	do.....	110	89	
Saigon.....	Oct. 7-Nov. 10.....	18	12	
Tonkin.....	Aug. 1-31.....	1		
Java:				
East Java:				
Surabaya (district).....	Oct. 7-28.....	92	75	Oct. 7-21, 1918: Cases, 109; deaths, 94.
Mid-Java:				
Samarang.....	Sept. 25-Oct. 16.....	120	111	Sert. 25-Oct. 16, 1918: Cases, 1,389; deaths, 867.
West Java:				
Batavia.....	Oct. 2-Nov. 6.....	161	95	Oct. 2-Nov. 6, 1918: Cases, 212; deaths, 123.
Mesopotamia:				
Bagdad.....	Oct. 11-18.....	8		
Philippine Islands:				
Manila.....	Sept. 22-Dec. 23.....	181	121	Nov. 2-9, 1918: Cases, 511; deaths, 417. Nov. 17-Dec. 21, 1918: Cases, 1,015; deaths, 731.
Provinces				
Albay.....	Dec. 15-21.....	1	1	
Bataan.....	Nov. 17-Dec. 21.....	37	31	
Batangas.....	Nov. 2-9.....	156	141	
Do.....	Nov. 17-Dec. 21.....	71	60	
Bohol.....	Nov. 2-9.....	19	17	
Do.....	Nov. 17-Dec. 21.....	12	5	
Bulacan.....	Oct. 27-Nov. 2.....	5	6	
Do.....	Nov. 17-Dec. 7.....	27	19	
Cavite.....	Oct. 27-Nov. 2.....	38	28	
Do.....	Nov. 17-Dec. 21.....	144	63	
Cebu.....	Dec. 15-21.....	41	20	
Ilocos Sur.....	Dec. 8-21.....	5		
Iloilo.....	Oct. 27-Nov. 2.....	9	6	
Do.....	Nov. 17-Dec. 21.....	70	51	
Laguna.....	Oct. 27-Dec. 21.....	13	7	
Mindoro.....	Nov. 24-30.....	4	5	
Misamis.....	Oct. 27-Nov. 2.....	6	5	
Do.....	Nov. 17-23.....	40	26	
Oriental Negros.....	Nov. 2-9.....	20	8	
Do.....	Nov. 17-Dec. 7.....	6	6	
Pampanga.....	Nov. 24-Dec. 14.....	4	4	
Pangasinan.....	Nov. 2-9.....	236	192	
Do.....	Nov. 17-Dec. 21.....	366	271	
Rizal.....	Oct. 27-Nov. 2.....	3	1	
Do.....	Nov. 24-30.....	16	5	
Samar.....	Dec. 15-21.....	8	1	
Sorsogon.....	Nov. 17-23.....	8	4	
Tayabas.....	Nov. 2-9.....	7	4	
Do.....	Nov. 17-Dec. 21.....	43	17	
Union.....	Nov. 2-Dec. 14.....	16	12	
Zamboanga.....	Dec. 8-21.....	18	12	
Russia:				
Petrograd.....	To July 16.....	3,388	1,054	
Do.....	July 17-Aug. 21.....	2,943	1,455	In civil hospitals. In military hospitals, July 5-Aug. 21, 1918: Cases, 884; deaths, 783.

CHOLERA, PLAGUE, SMALLPOX, TYPHUS FEVER, AND YELLOW FEVER—Continued.

Reports Received from Dec. 28, 1918, to Feb. 7, 1919—Continued.

PLAGUE.

Place.	Date.	Cases.	Deaths.	Remarks.
China:				
Amoy.....				Present.
Chungking.....	Dec. 1-7.....			Do.
Hongkong.....	Oct. 26-Dec. 8.....	1	1	
Do.....	Nov. 9-16.....	1	1	
Nanking.....	Nov. 2-9.....			Always prevalent.
Ceylon:				
Colombo.....	Oct. 27-Nov. 2.....	1	1	
Ecuador:				
Guayaquil.....	Nov. 1-Dec. 15.....	9	3	
Egypt.....				Jan. 1-Nov. 21, 1918: Cases, 357; deaths, 153.
India.....				Sept. 23-Nov. 16, 1918: Cases, 16,503; deaths, 12,910.
Bombay.....	Aug. 18-Nov. 9.....	34	23	
Karachi.....	Oct. 19-26.....	16	16	
Madras Presidency.....	Oct. 13-Nov. 23.....	505	335	
Bangoon.....	Oct. 5-Nov. 2.....	66	66	
Indo-China:				
Anam.....	Aug. 1-31.....	15	10	
Cambodia.....	do.....		23	
Cochin-China.....	do.....	14	11	
Saigon.....	Oct. 7-Nov. 3.....	3	1	
Java:				
East Java.....				Oct. 7-21, 1918: Cases, 17; deaths, 17.
Surabaya (district).....	Oct. 7-21.....	15	15	
Mid-Java.....				Sept. 25-Oct. 16, 1918: Cases, 14; deaths, 14.
Samarang.....	Sept. 25-Oct. 16.....	6	6	
Siam:				
Bankok.....	Sept. 21-28.....	4	3	
Do.....	Oct. 5-12.....	2	2	
Venezuela:				
Caracas.....	Dec. 30.....	1		

SMALLPOX.

Algeria:				
Algiers.....	Oct. 1-Dec. 31.....	2	1	
Canada:				
New Brunswick—				
Campbellton.....	Dec. 22-28.....	1		
Do.....	Jan. 5-11.....	1		
St. John.....	Nov. 8-14.....	3		
Nova Scotia—				
Bear River.....	Dec. 29-Jan. 4.....			Present.
Bigbee.....	Jan. 10.....			Do.
Digby.....	do.....			Do.
Halifax.....	Dec. 7-28.....	10		
Do.....	Jan. 5-18.....	30		
Middleton.....	Dec. 29-Jan. 4.....			Do.
Sydney.....	Jan. 5-11.....	1		
Ontario—				
North Bay.....	Jan. 19-25.....	1		
Ottawa.....	Jan. 12-25.....	5		
Quebec—				
Montreal.....	Jan. 24-Dec. 21.....	2		
Do.....	Jan. 12-25.....	12		
Paspebiac.....	Jan. 12-18.....	1		
Quebec.....	Dec. 15-21.....	1		
Do.....	Dec. 29-Jan. 4.....	1		
Canal Zone:				
Colon.....	Dec. 15-21.....	1		
Do.....	Dec. 29-Jan. 4.....	1		
China:				
Amoy.....	Oct. 13-Dec. 8.....			Do.
Canton.....	Nov. 17-23.....			Do.
Chungking.....	Nov. 10-30.....			Do.
Foochow.....	Nov. 24-Dec. 13.....			Do.
Nanking.....	Dec. 1-7.....			Do.
Chosen:				
Chemulpo.....	Nov. 1-30.....	2		
Denmark:				
Copenhagen.....	Nov. 9-Dec. 14.....	11		

CHOLERA, PLAGUE, SMALLPOX, TYPHUS FEVER, AND YELLOW FEVER—Continued.

Reports Received from Dec. 28, 1918, to Feb. 7, 1919—Continued.

SMALLPOX—Continued.

Place.	Date.	Cases.	Deaths.	Remarks.
India:				
Bombay.....	Aug. 18-Nov. 9.....	12	3	Report for week ended Nov. 23, 1918, missing.
Calcutta.....	Sept. 29-Nov. 30.....	7	7	
Karachi.....	Sept. 29-Oct. 5.....	1	1	
Madras.....	Oct. 5-Nov. 23.....	29	25	
Rangoon.....	Oct. 20-26.....	1	1	
Indo-China:				
Anam.....	Aug. 1-31.....	29	8	
Cambodia.....	do.....	78	40	
Cochin-China.....	do.....	97	27	
Saigon.....	Oct. 7-20.....	13	3	
Tonkin.....	Aug. 1-31.....	5	
Japan:				
Kobe.....	Oct. 26-Dec. 14.....	118	21	
Java:				
East Java.....	Oct. 7-21, 1918: Cases, 6.
Surabaya (district).....	Oct. 7-28.....	7	
Mid-Java.....	Sept. 25-Oct. 16, 1918: Cases, 55.
West Java.....	Oct. 2-Nov. 6, 1918: Cases, 341; deaths, 122.
Batavia.....	Oct. 2-Nov. 6.....	91	76	
Mesopotamia:				
Bagdad.....	Oct. 11-Nov. 15.....	95	24	
Mexico:				
Ciudad Juarez.....	Nov. 24-30.....	1	
Newfoundland:				
St. Johns.....	Dec. 6-20.....	4	
Do.....	Dec. 28-Jan. 10.....	2	
Outports—				
Avondale.....	do.....	4	
Blaine Harbor.....	Dec. 14-20.....	2	
Bay of Islands.....	Jan. 11-17.....	6	
Bay Roberts.....	Dec. 21-27.....	1	
Bryants Cove.....	Dec. 7-13.....	3	
Burin.....	do.....	4	
Coleys Point.....	Dec. 14-20.....	1	
Musgrave Harbor.....	Dec. 7-13.....	4	
Do.....	Jan. 11-17.....	6	
Paradise.....	Dec. 7-13.....	60	Placentia Bay.
Philippine Islands:				
Manila.....	Nov. 2-9.....	2	2	
Portugal:				
Lisbon.....	Nov. 16-30.....	649	
Siberia:				
Vladivostok.....	Nov. 1-3.....	4	
Spain:				
Cadiz.....	Oct. 1-31.....	3	
Madrid.....	Sept. 1-Oct. 31.....	153	
Valencia.....	Nov. 10-Dec. 7.....	15	4	
Straits Settlements:				
Penang.....	Oct. 6-12.....	1	
Union of South Africa:				
Cape of Good Hope State—	
Cape Town.....	Aug. 1-30.....	1	

TYPHUS FEVER.

Algeria:				
Algiers.....	Nov. 1-30.....	1	
Brazil:				
Ceara.....	Sept. 14-21.....	1	
China:				
Antung.....	Dec. 2-15.....	2	
Colombia:				
Barranquilla.....	Nov. 8-Dec. 28.....	3	
Egypt:				
Alexandria.....	Oct. 14-Dec. 2.....	67	44	
Greece:				
Saloniki.....	Sept. 29-Dec. 7.....	28	
Japan:				
Nagasaki.....	Nov. 10-Dec. 22.....	12	4	

CHOLERA, PLAGUE, SMALLPOX, TYPHUS FEVER, AND YELLOW FEVER—Continued.

Reports Received from Dec. 28, 1918, to Feb. 7, 1919—Continued.

TYPHUS FEVER—Continued.

Place.	Date.	Cases.	Deaths.	Remarks.
Java:				
East Java.....				Oct. 7-21, 1918; Cases, 5.
Surabaya.....	Oct. 7-21.....	4		
Mid-Java.....				Sept. 25-Oct. 16, 1918; Cases, 8.
West Java.....				Oct. 2-23; Cases, 31; deaths, 6.
Batavia.....	Oct. 2-23.....	15	4	
Mexico:				
Guadalajara.....	Nov. 1-30.....	2		
Siberia:				
Vladivostok.....	Sept. 1-Nov. 30....	16		
Spain:				
Huelva.....	Oct. 1-31.....		2	
Union of South Africa:				
Port Elizabeth.....	Sept. 14-28.....			Present among natives in several interior towns.

YELLOW FEVER.

Brazil:				
Pernambuco.....	Oct. 1-15.....	1		
Ecuador:				
Babahoyo.....	Nov. 1-30.....	1		
Duran.....	Nov. 1-Dec. 15....	2	2	
Guayaquil.....	do.....	118	66	
Milagro.....	Nov. 1-15.....	1		
Punta de Piedra.....	Nov. 1-30.....	1		
Salvador:				
San Salvador.....	Jan. 9.....	1		