

A

ZBCoV AAACAC**CGAGGCCACGCCGAGUAGGAUCGAGGGUACAG**UGUUA
BtSARS-CoV HKU3 UUUCAC**CGAGGCCACGCCGAGUACGAUCGAGGGUACAG**UGAAU
SARS-CoV UUUCAU**CGAGGCCACGCCGAGUACGAUCGAGGGUACAG**UGAAU
CtSARS-CoV UUUCAU**CGAGGCCACGCCGAGUACGAUCGAGGGUACAG**UGAAU
IBV CAGUGC**CGGGGCCACGCCGAGUACGAUCGAGGGUACAG**CACUA
TuCoV CAGUGC**CGGGGCCACGCCGAGUACGAUCGAGGGUACAG**CACAA
BuCoV AUGUGC**CGAGGCCACGCCGAGUACGAUCGAGGGUACAG**CACAA
MuCoV AUGUGU**CGAGGCCACGCCGAGUACGAUCGAGGGUACAG**CACAA
ThCoV AUAUGC**CGAGGCCACGCCGAGUACGAUCGAGGGUACAG**CAUAA
HAsV-PS UUGC**CGAGGCCACGCCGAGUAGGAUCGAGGGUACAG**CGCUA
ERBV ACUCGC**CGAGGCCACGCCGAGUAGGACCGAGGGUACAG**CGAGU

** ***** ***** *****

B

ZBCoV AAACACCGAGGCCACGCCGAGUAGGAUCGAGGGUACAGUGUUAAAAGCCAGUUCAAGAAUAACUAGACCGAGGCCACGCCGAGUAGGAU

BtSARS-CoV HKU3 UUUCACCGAGGCCACGCCGAGUACGAUCGAGGGUACAGU-----GAAUA-----AUGC----UAGG--

SARS-CoV UUUCAUCGAGGCCACGCCGAGUACGAUCGAGGGUACAGU-----GAAUA-----AUGC----UAGG--

CtSARS-CoV UUUCAUCGAGGCCACGCCGAGUACGAUCGAGGGUACAGU-----GAAUA-----AUGC----UAGG--

 ** *****

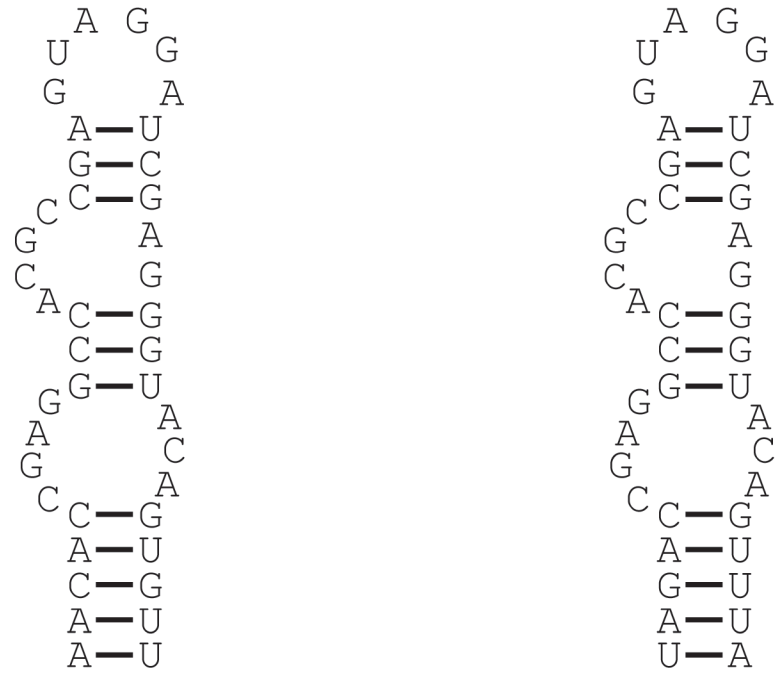
ZBCoV CGAGGGUACAGUUACAAGUCUUGCUGGAAGAGCC

BtSARS-CoV HKU3 -GAGAG--CUGCCUAUA-----UGGAAGAGCC

SARSCoV -GAGAG--CUGCCUAUA-----UGGAAGAGCC

CtSARSCoV -GAGAG--CUGCCUAUA-----UGGAAGAGCC

c



UAA (157) AGAGCCCCCAAAGAAUA AAAAGCCAGUUCAAGAAUAAC CAAGUCUU